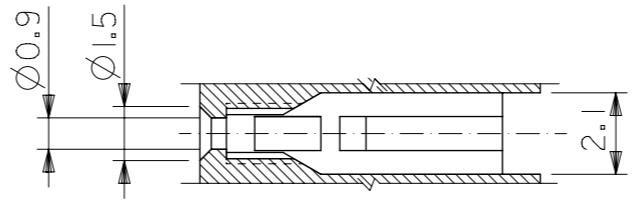


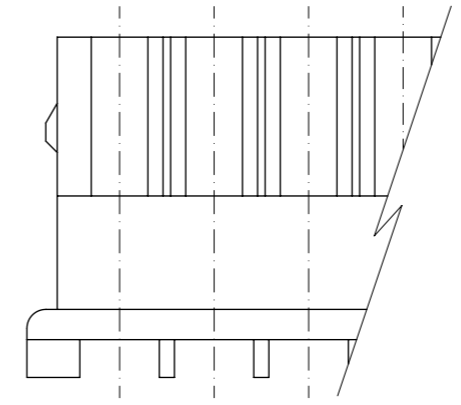
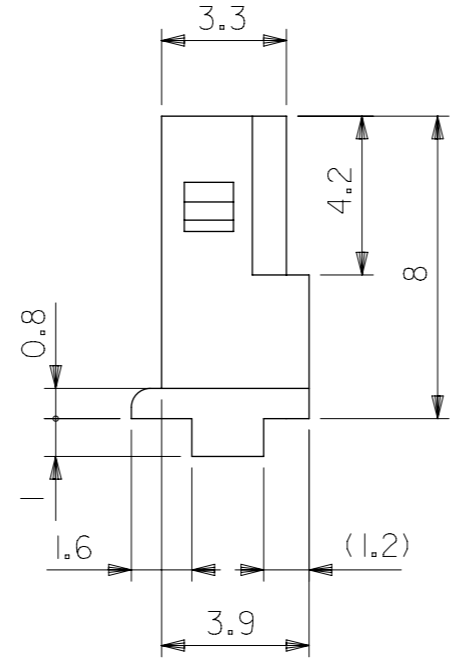
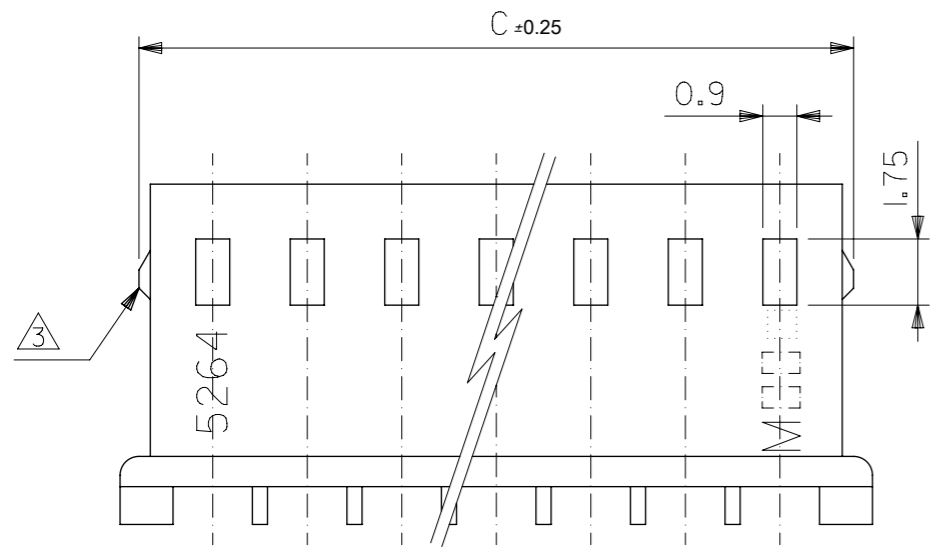
断面 Z-Z



断面 Y-Y

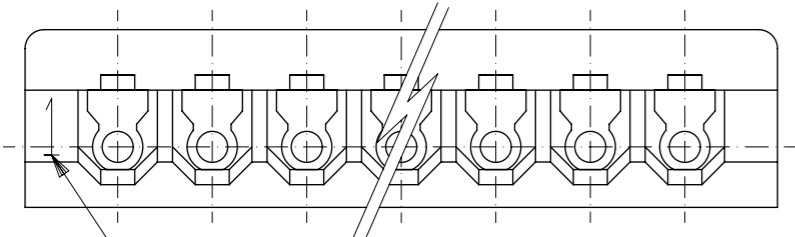
注記:

- 適合端子: 5263PBT
- 嵌合相手: 5267 シリーズ, 5268 シリーズ
- 9極以上はロックなし。



材料:
ポリアミド(PA), UL-94 V-0
ナチュラル(アイボリー)

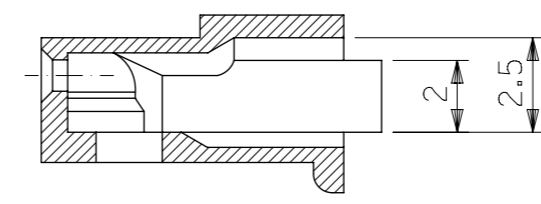
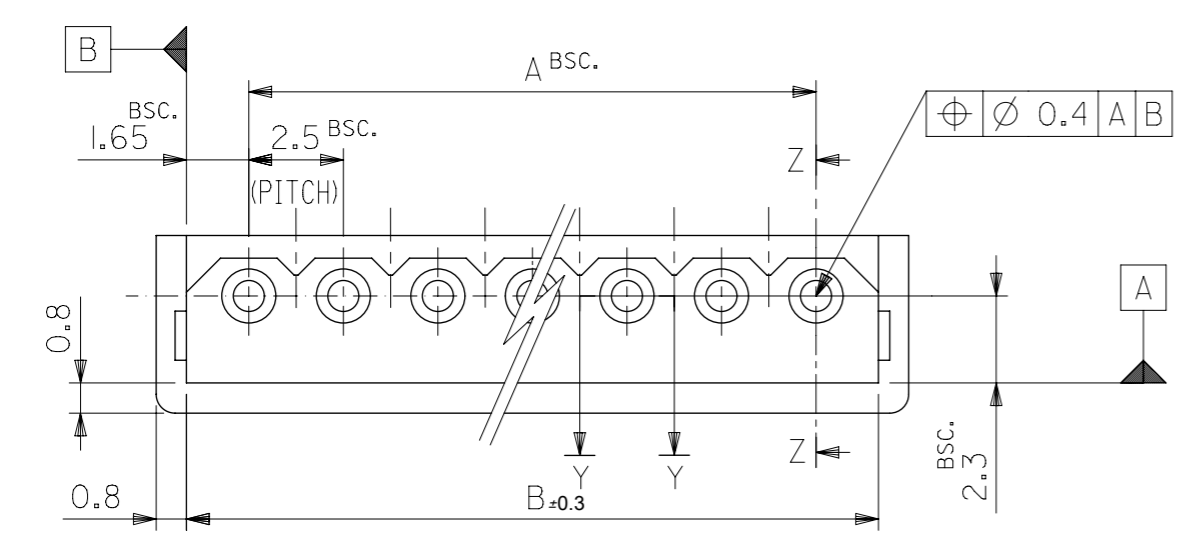
	38.3	35	50-37-5153	5264-15	15
	35.8	32.5	↑ -5143	↑ -14	14
	33.3	30	↑ -5133	↑ -13	13
	30.8	27.5	↑ -5123	↑ -12	12
	28.3	25	↑ -5113	↑ -11	11
	25.8	22.5	↑ -5103	↑ -10	10
	23.3	20	↑ -5093	↑ -09	9
	21.4	20.8	↑ -5083	↑ -08	8
	18.9	18.3	↑ -5073	↑ -07	7
	16.4	15.8	↑ -5063	↑ -06	6
	13.9	13.3	↑ -5053	↑ -05	5
	11.4	10.8	↑ -5043	↑ -04	4
	8.9	8.3	↑ -5033	↑ -03	3
	6.4	5.8	2.5 50-37-5023	5264-02	2
C	B	A	EDP NO.	ENG.NO.	極数



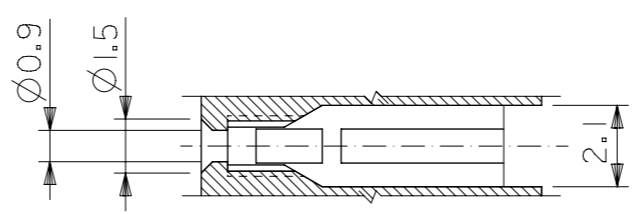
CIRCUIT NO.

THIS DRAWING CONTAINS INFORMATION THAT IS PROPRIETARY TO MOLEX ELECTRONIC TECHNOLOGIES, LLC AND SHOULD NOT BE USED WITHOUT WRITTEN PERMISSION

EC NO: 170019 DRWN: MIKEDA01 CHK'D: AIDA APPR: TKANEKO	2017/12/22	2018/01/11	2018/01/11	GENERAL TOLERANCES (UNLESS SPECIFIED) ANGULAR TOL ± 3.0 ° 4 PLACES ± 3 PLACES ± 2 PLACES ± 0.2 1 PLACE ± 0.2 0 PLACES ± DRAFT WHERE APPLICABLE MUST REMAIN WITHIN DIMENSIONS	DIMENSION UNITS	SCALE				
					mm	5:1				
					DRWN BY	DATE		RFC_PLMIMP 2017/10/11		
					CHK'D BY	DATE		AIDA 2018/01/11		
			APPR BY	DATE	RFC_PLMIMP 2017/10/11	PRODUCT CUSTOMER DRAWING				
					DRAWING SIZE	THIRD ANGLE PROJECTION	SERIES	MATERIAL NUMBER	CUSTOMER	
					A3		5264	50-37-5**3	GENERAL	
							DOCUMENT NUMBER	DOC TYPE	DOC PART	SHEET NUMBER
							SD-5264-N	PSD	001	1 OF 1

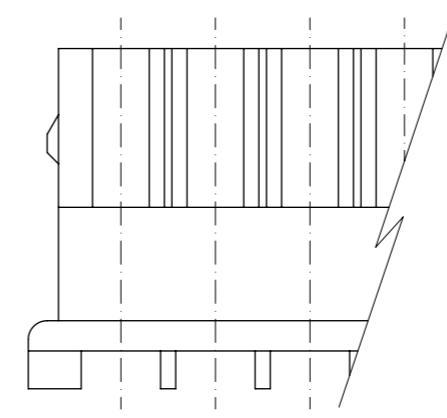
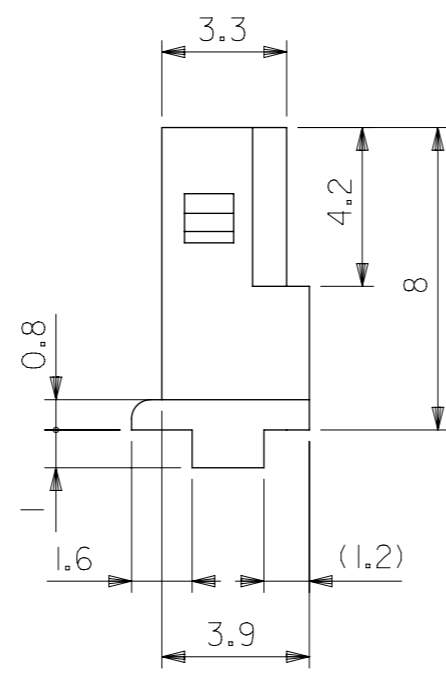
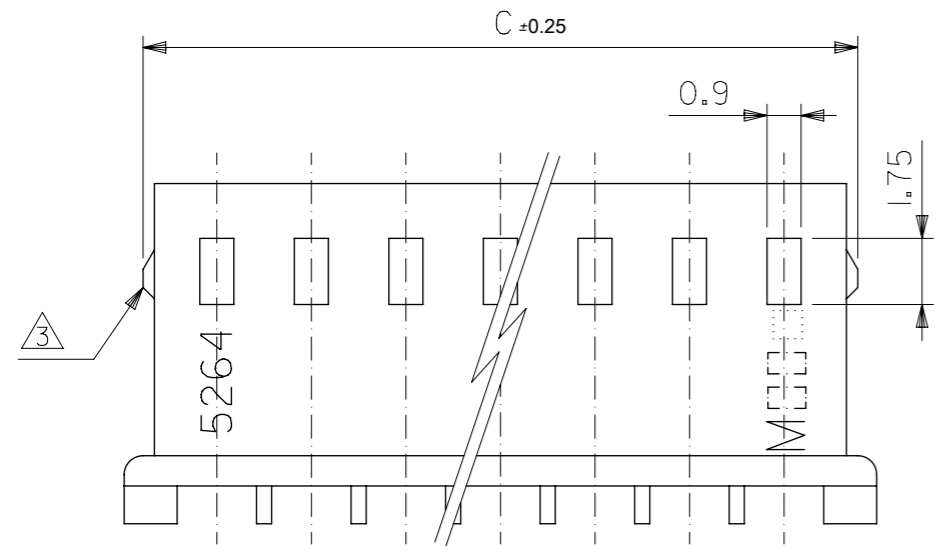


SECT.Z-Z



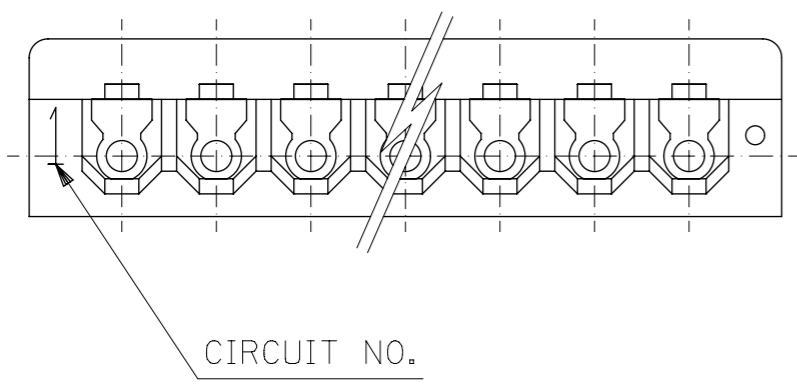
SECT.Y-Y

NOTES:
 1. SUITABLE TERMINAL : 5263SERIES
 2. MATES WITH : 5267SERIES,5268SERIES
 3. 9 CIRCUITS OR MORE WITHOUT LOOK.



	43.3	40	50-37-5173	5264-17	17	
	38.3	35	▲ -5153	▲ -15	15	
	35.8	32.5	-5143	-14	14	
	33.3	30	-5133	-13	13	
	30.8	27.5	-5123	-12	12	
	28.3	25	-5113	-11	11	
	25.8	22.5	-5103	-10	10	
	23.3	20	-5093	-09	9	
	21.4	20.8	17.5	-5083	-08	8
	18.9	18.3	15	-5073	-07	7
	16.4	15.8	12.5	-5063	-06	6
	13.9	13.3	10	-5053	-05	5
	11.4	10.8	7.5	-5043	-04	4
	8.9	8.3	5	▼ -5033	▼ -03	3
	6.4	5.8	2.5	50-37-5023	5264-02	2
	C	B	A	EDP NO.	ENG.NO.	CKT.

MATERIAL:
 66 NYLON, UL94V-0
 NATURAL (IVORY)



THIS DRAWING CONTAINS INFORMATION THAT IS PROPRIETARY TO MOLEX ELECTRONIC TECHNOLOGIES, LLC AND SHOULD NOT BE USED WITHOUT WRITTEN PERMISSION

EC NO: 170019 DRWN: MIKEDA01 CHK'D: AIDA APPR: TKANEKO	2017/12/22 2018/01/11 2018/01/11	GENERAL TOLERANCES (UNLESS SPECIFIED) ANGULAR TOL ± 3.0 ° 4 PLACES ± 0.2 3 PLACES ± 0.25 2 PLACES ± 0.2 1 PLACE ± 0.2 0 PLACES ±	DIMENSION UNITS: mm SCALE: 5:1 DRWN BY: RFC_PLMIMP DATE: 2017/10/11 CHK'D BY: KTAKAHASHI DATE: 2016/10/12 APPR BY: YOITO DATE: 2016/07/08	<p>SPOX 2.5MM PITCH WTB LOW PROFILE RECEPTACLE HOUSING</p>			
	DRAFT WHERE APPLICABLE MUST REMAIN WITHIN DIMENSIONS		DRAWING SIZE: A3 THIRD ANGLE PROJECTION				PRODUCT CUSTOMER DRAWING
	L REV		DIMENSION UNITS: mm SCALE: 5:1		SERIES: 5264 MATERIAL NUMBER: 50-37-5**3 CUSTOMER: GENERAL	DOCUMENT NUMBER: SD-5264-N DOC TYPE: PSD DOC PART: 002 SHEET NUMBER: 1 OF 1	
	RELEASE STATUS: P1 RELEASE DATE: 11.01.2018 07:52:55		DATE: 2017/02/08		PRODUCT CUSTOMER DRAWING		