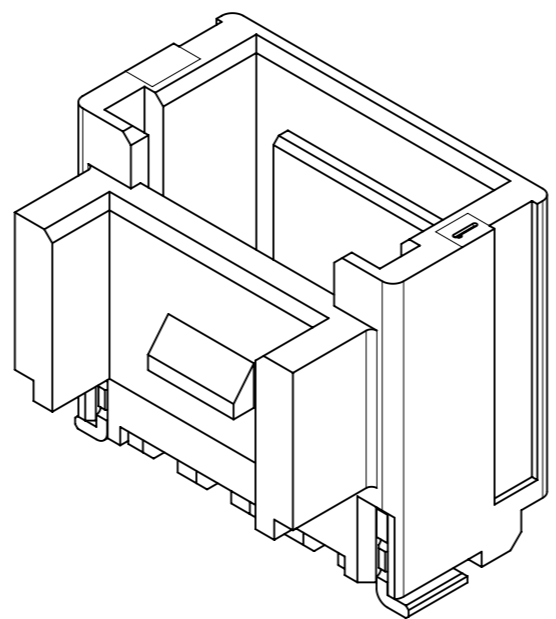


NOTES

- 1. 材料及び仕上げ(めっき仕様) : TABLE 1 参照
MATERIAL AND FINISHES : SEE TABLE 1
- 2. 製品仕様書 : 5019390000-PS 000
PRODUCT SPECIFICATION:
- 3. 梱包形態 : SEE SHEET 3
PACKAGING INFORMATION:
- 4. 嵌合相手 : 501939 シリーズ
MATES WITH:501939 SERIES
- 5. アプリケーション仕様書(コネクタ取扱い説明書) : 5013300000-AS A00(JAPANESE)/A01(ENGLISH)
APPLICATION SPECIFICATION(CONNECTOR MANUAL):
- 6. ソルダーピン及びネイルの平坦度:0.1 MAX.
SOLDER PIN AND NAIL COPLANARITY: 0.1 MAX.
- 7. 偶数極に適用
APPLY FOR EVEN CIRCUIT
- 8. その他金めっき厚品及び錫めっき品は以下の図面を御参照下さい。
PLEASE REFER TO THE FOLLOWING DRAWING FOR OTHER GOLD PLATING VERSION AND TIN PLATING VERSION.

PLATING	PLATING THICKNESS [micro-meter MIN.]	SERIES No.	DRAWING No.
TIN	1.0	501940 **07	5019400000-SD PSD 000
GOLD	0.1	501940 **03	5019400001-SD PSD 000
	0.76	203561 **03	2035610000-SD PSD 000

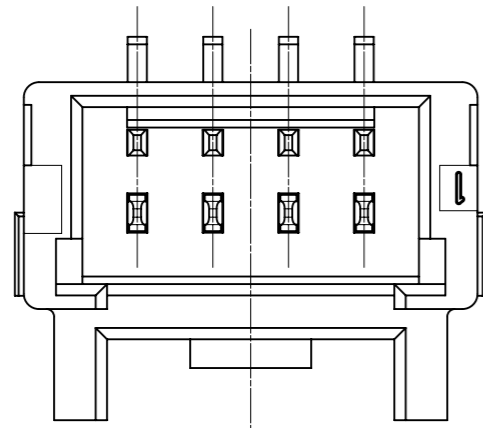
番号 NO.	部品 PART	材質 MATERIAL	
1	ウエハー WAFER	ポリアミド(PA), UL94V-0, 色 : SEE SHEET 5 POLYAMIDE(PA), UL94V-0, COLOR : SEE SHEET 5	
2	ソルダーピン SOLDER PIN	リン青銅 PHOSPHOR BRONZE	
		接点部 CONTACT AREA	金めっき : 0.38 MICRO-METER MIN. GOLD PLATING
		テール部 TAIL AREA	金めっき : 0.1 MICRO-METER MIN. GOLD PLATING
	下地めっき UNDER PLATING	ニッケルめっき : 1.27 MICRO-METER MIN. NICKEL	
3	ネイル NAIL	リン青銅 PHOSPHOR BRONZE	
		テール部 TAIL AREA	錫めっき : 1.0 MICRO-METER MIN. MATTE TIN PLATING
		下地めっき UNDER PLATING	ニッケルめっき : 1.0 MICRO-METER MIN. NICKEL
4	カバーテープ COVER TAPE	ポリイミドテープ POLYIMIDE TAPE	



5.2	6.5	4.0	7.0	5
	5.5	3.0	6.0	4
4.2	4.5	2.0	5.0	3
D	C	B	A	極数 CIRCUIT SIZE

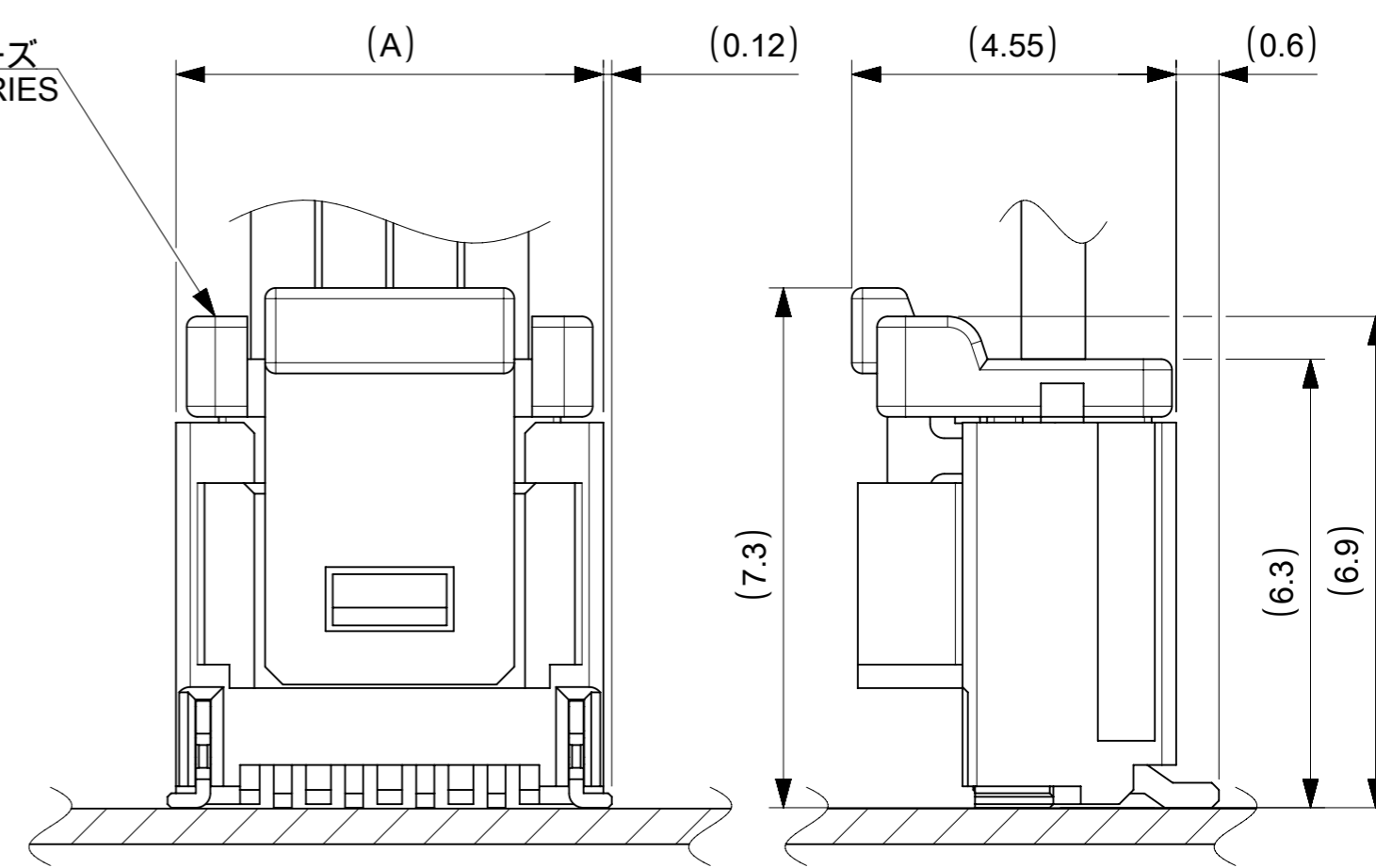
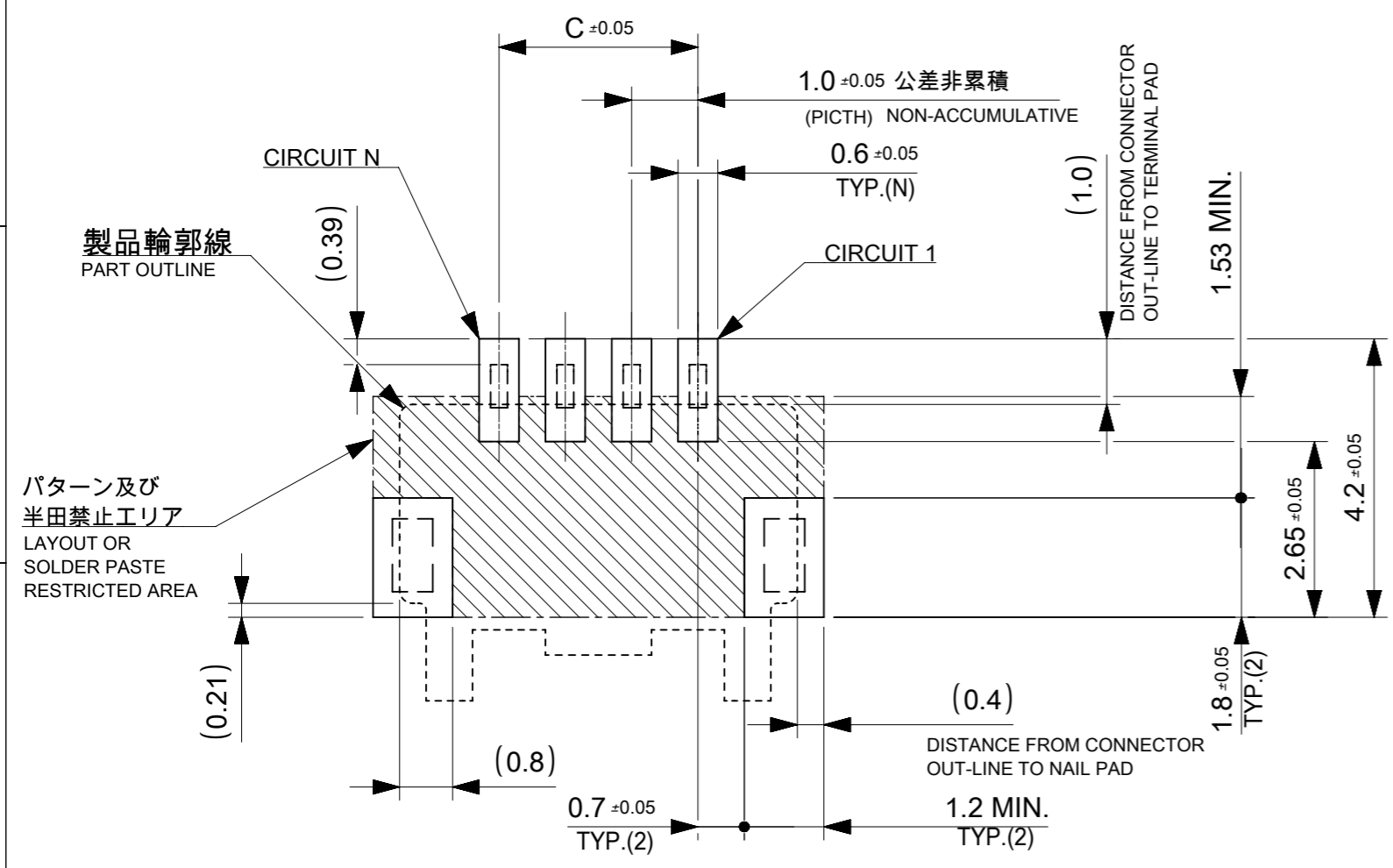
THIS DRAWING CONTAINS INFORMATION THAT IS PROPRIETARY TO MOLEX ELECTRONIC TECHNOLOGIES, LLC AND SHOULD NOT BE USED WITHOUT WRITTEN PERMISSION

DIMENSION UNITS	SCALE	CURRENT REV DESC:		
mm	NTS			
GENERAL TOLERANCES (UNLESS SPECIFIED)		molex		
ANGULAR TOL ± 3.0°		PICO-CLASP 1.0 W/B		
4 PLACES ± 0.2	EC NO: 614802	SINGLE ROW VT SMT OUTER LOCK GOLD PLATING		
3 PLACES ± 0.2	DRWN: AISHIKAWA 2019/04/01	0.38 MICRO-METER		
2 PLACES ± 0.2	CHK'D: AIDA 2019/04/03	PRODUCT CUSTOMER DRAWING		
1 PLACE ± 0.2	APPR: KOMURAKAMI 2019/04/03	DOCUMENT NUMBER		
0 PLACES ± 0.2	INITIAL REVISION:	DOC TYPE DOC PART REVISION		
DRAFT WHERE APPLICABLE MUST REMAIN WITHIN DIMENSIONS	DRWN: AISHIKAWA 2019/04/01	2035600000-SD PSD 000 A		
THIRD ANGLE PROJECTION	APPR: KOMURAKAMI 2019/04/03	MATERIAL NUMBER CUSTOMER SHEET NUMBER		
		SEE SHEET 5		
		A3-SIZE 203560		



製品レイアウト
PRODUCT LAYOUT

△ 嵌合相手 : 501939 シリーズ
MATE WITH : 501939 SERIES

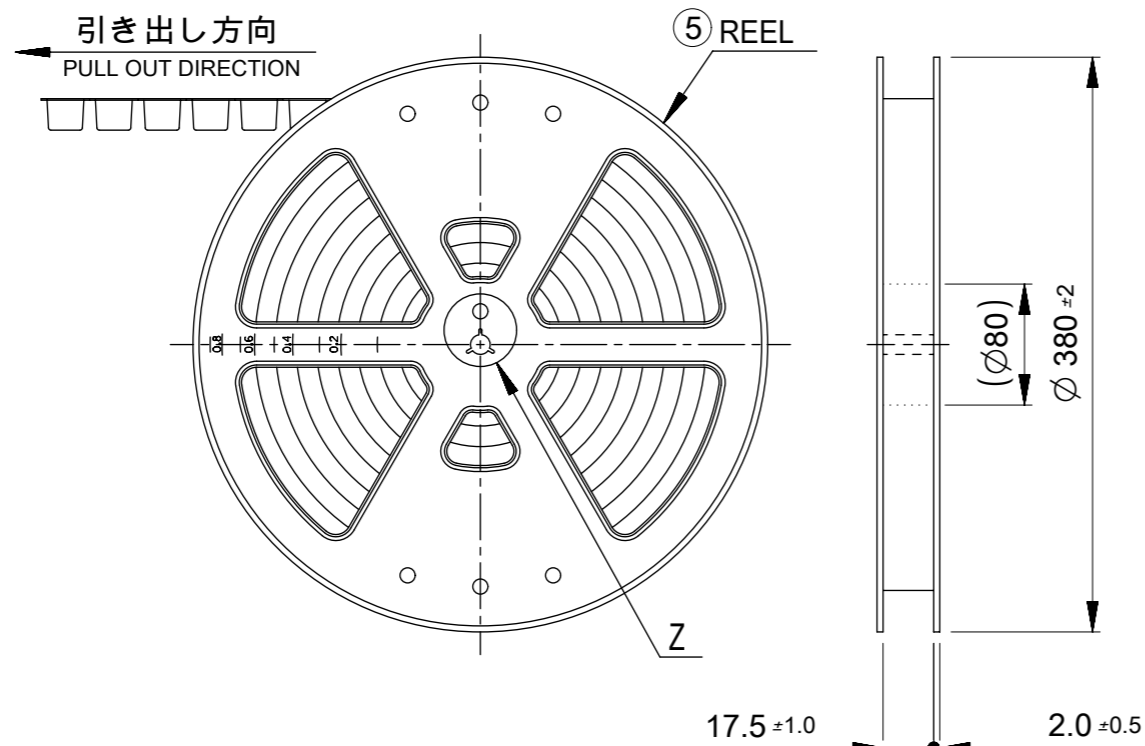


嵌合図
MATED CONNECTORS

推奨基板レイアウト(全極数適応) : 実装面側
 (参考 : 基板厚 1.0mm, メタルマスク厚さ 0.12mm, マスク開口率100%)
 POLARIZED RECOMMENDED PCB LAYOUT(APPLY TO ALL CIRCUIT) : COMPONENT SIDE
 (REFERENCE: PCB THICKNESS 1.0mm, STENCIL THICKNESS 0.12mm, APERTURE RATIO 100%)

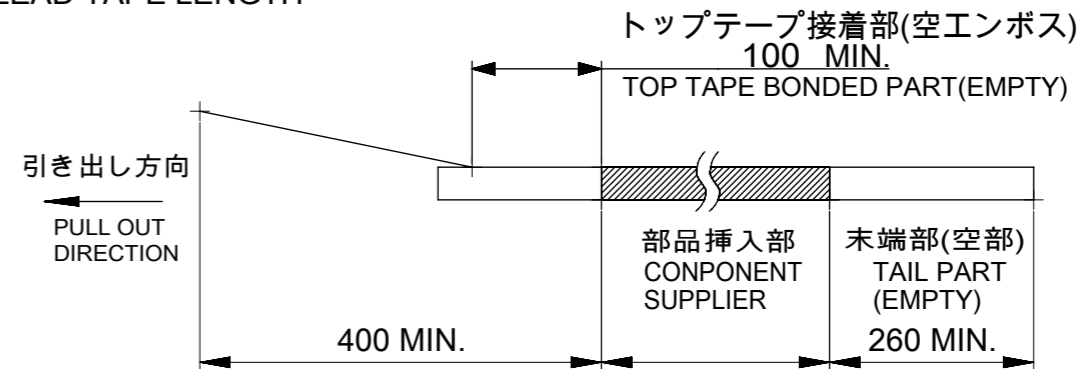
:パターン禁止エリア
 RESTRICTED AREA
 NO PCB COMPONENTS ALLOWED

THIS DRAWING CONTAINS INFORMATION THAT IS PROPRIETARY TO MOLEX ELECTRONIC TECHNOLOGIES, LLC AND SHOULD NOT BE USED WITHOUT WRITTEN PERMISSION		CURRENT REV DESC:		 PICO-CLASP 1.0 W/B SINGLE ROW VT SMT OUTER LOCK GOLD PLATING 0.38 MICRO-METER	
DIMENSION UNITS	SCALE	EC NO: 614802			
mm	NTS	DRWN: AISHIKAWA 2019/04/01		DOCUMENT NUMBER	
GENERAL TOLERANCES (UNLESS SPECIFIED)		CHK'D: AIDA 2019/04/03		DOC TYPE DOC PART REVISION	
ANGULAR TOL	± 3.0 °	APPR: KOMURAKAMI 2019/04/03		2035600000-SD PSD 000 A	
4 PLACES	± 0.2	INITIAL REVISION:		MATERIAL NUMBER	
3 PLACES	± 0.2	DRWN: AISHIKAWA 2019/04/01		CUSTOMER	
2 PLACES	± 0.2	APPR: KOMURAKAMI 2019/04/03		SEE SHEET 5	
1 PLACE	± 0.2	DRAFT WHERE APPLICABLE MUST REMAIN WITHIN DIMENSIONS		SHEET NUMBER	
0 PLACES	± 0.2	THIRD ANGLE PROJECTION	DRAWING	SERIES	
			A3-SIZE	203560	

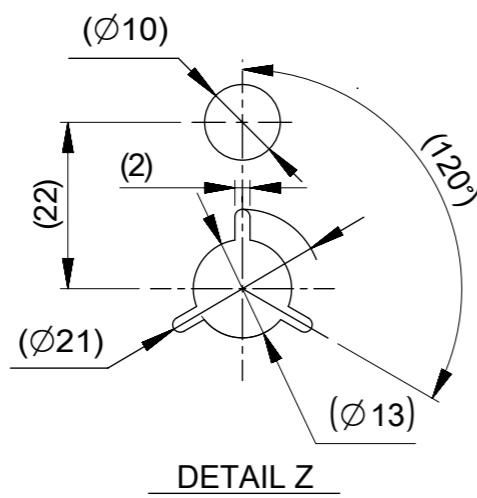


NOTES

- 9. 梱包数量:1100個/リール
NUMBER OF CONNECTORS : 1100 PIECES/REEL
- 10. リードテープ長さ
LEAD TAPE LENGTH



- 11. トップテープの剥離強度はIEC60286-3に準拠。
TOP TAPE PEELING FORCE IS DEFINED BY IEC60286-3.
- 12. 梱包仕様書 : 2035609200 PS 200
PACKAGE SPECIFICATION:
- 13. 発注番号 : SHEET 5 参照
ORDER No. : PLEASE REFER TO SHEET 5 FOR PRODUCT LIST.



203560

** ** *

極数 CIRCUIT SIZE	ハウジングカラー HOUSING COLOR	製品識別番号 IDENTIFICATION NUMBER
	0:NATURAL(BEIGE)	3:EMBOSSED PACKAGE

THIS DRAWING CONTAINS INFORMATION THAT IS PROPRIETARY TO MOLEX ELECTRONIC TECHNOLOGIES, LLC AND SHOULD NOT BE USED WITHOUT WRITTEN PERMISSION		CURRENT REV DESC:		molex	
DIMENSION UNITS mm	SCALE NTS	EC NO: 614802 DRWN: AISHIKAWA 2019/04/01 CHK'D: AIDA 2019/04/03 APPR: KOMURAKAMI 2019/04/03			
GENERAL TOLERANCES (UNLESS SPECIFIED)		INITIAL REVISION:		DOCUMENT NUMBER	
ANGULAR TOL	± 3.0 °	DRWN: AISHIKAWA 2019/04/01 APPR: KOMURAKAMI 2019/04/03		2035600000-SD	
4 PLACES	± 0.2	SERIES		DOC TYPE	DOC PART
3 PLACES	± 0.2	A3-SIZE		PSD	000
2 PLACES	± 0.2	203560		REVISION	A
1 PLACE	± 0.2	MATERIAL NUMBER		CUSTOMER	
0 PLACES	± 0.2	SEE SHEET 5		SHEET NUMBER	
DRAFT WHERE APPLICABLE MUST REMAIN WITHIN DIMENSIONS		THIRD ANGLE PROJECTION	DRAWING	3 OF 5	

番号 NO.	部品 PART	材質 MATERIAL
5	リール REEL	ポリスチレン(PS) <リサイクル材を含む> POLYSTYRENE(PS) <RECYCLE MATERIAL CONTAINED>
DOCUMENT STATUS	P1	RELEASE DATE 2019/04/03 09:48:36

引き出し方向
PULL OUT DIRECTION

16mm幅テープ
TAPE WIDTH:16mm

⑦ TOP TAPE

CONNECTOR

⑥ CARRIER TAPE

SECTION Y-Y

(7.5) コネクター中心位置
CENTER OF CONNECTOR

SECTION X-X

12.0 ±0.1

(5.65)

(2.55)

0.5 ±0.05

(5.65)

(5.8)

(6.8)

16.0 ±0.3

1.75 ±0.1

CIRCUIT 1

∅1.5^{+0.1}_{0.0}

(2.0) エンボスポケット中心位置
CENTER OF EMBOSSED POCKET

累積ピッチ : 40 ±0.2
ACUUMLATIVE PITCH:

4.0 ±0.1

8.3	5
7.3	4
6.3	3
D	極数 CIRCUIT SIZE

THIS DRAWING CONTAINS INFORMATION THAT IS PROPRIETARY TO MOLEX ELECTRONIC TECHNOLOGIES, LLC AND SHOULD NOT BE USED WITHOUT WRITTEN PERMISSION

DIMENSION UNITS	SCALE	CURRENT REV DESC:	
mm	NTS		
GENERAL TOLERANCES (UNLESS SPECIFIED)		molex	
ANGULAR TOL	± 3.0 °	PICO-CLASP 1.0 W/B	
4 PLACES	± 0.2	SINGLE ROW VT SMT OUTER LOCK GOLD PLATING	
3 PLACES	± 0.2	0.38 MICRO-METER	
2 PLACES	± 0.2	PRODUCT CUSTOMER DRAWING	
1 PLACE	± 0.2	DOCUMENT NUMBER	
0 PLACES	± 0.2	2035600000-SD	
DRAFT WHERE APPLICABLE MUST REMAIN WITHIN DIMENSIONS		THIRD ANGLE PROJECTION	SHEET NUMBER
		DRAWING	4 OF 5
		SERIES	
		MATERIAL NUMBER	
		CUSTOMER	
		DATE	
		TIME	
		REV	
		APP	
		CHK	
		DRW	
		EC NO	

番号 NO.	部品 PART	材質 MATERIAL
⑥	キャリアテープ CARRIER TAPE	ポリプロピレン(PP)、その他 POLYPROPYLEN(PP), etc
⑦	トップテープ TOP TAPE	ポリエチレン(PE)、その他 POLYETHYLENE(PE), etc

DOCUMENT STATUS | P1 | RELEASE DATE | 2019/04/03 | 09:48:36

9 8 7 6 5 4 3 2 1

E

E

D

D

C

C

B

B

A

A

13 製品一覧 PRODUCT LIST

HOUSING COLOR	
NATURAL(BEIGE)	
203560 0503	5
203560 0403	4
203560 0303	3
発注番号 ORDER No.	極数
梱包形態 : エンボスリール PACKAGE:EMBOSSSED REEL	CIRCUIT SIZE

THIS DRAWING CONTAINS INFORMATION THAT IS PROPRIETARY TO MOLEX ELECTRONIC TECHNOLOGIES, LLC AND SHOULD NOT BE USED WITHOUT WRITTEN PERMISSION											
DIMENSION UNITS	SCALE	CURRENT REV DESC:					molex				
mm	NTS										
GENERAL TOLERANCES (UNLESS SPECIFIED)		EC NO: 614802					PICO-CLASP 1.0 W/B				
ANGULAR TOL	± 3.0 °	DRWN: AISHIKAWA 2019/04/01					SINGLE ROW VT SMT OUTER LOCK GOLD PLATING				
4 PLACES	± 0.2	CHK'D: AIDA 2019/04/03					0.38 MICRO-METER				
3 PLACES	± 0.2	APPR: KOMURAKAMI 2019/04/03					PRODUCT CUSTOMER DRAWING				
2 PLACES	± 0.2	INITIAL REVISION:					DOCUMENT NUMBER		DOC TYPE	DOC PART	REVISION
1 PLACE	± 0.2	DRWN: AISHIKAWA 2019/04/01					2035600000-SD		PSD	000	A
0 PLACES	± 0.2	APPR: KOMURAKAMI 2019/04/03									
DRAFT WHERE APPLICABLE MUST REMAIN WITHIN DIMENSIONS		THIRD ANGLE PROJECTION	DRAWING	SERIES	MATERIAL NUMBER	CUSTOMER		SHEET NUMBER			
			A3-SIZE	203560	SEE SHEET 5			5 OF 5			

DOCUMENT STATUS	P1	RELEASE DATE	2019/04/03	09:48:36
-----------------	----	--------------	------------	----------

9 8 7 6 5 4 3 2 1

FORMAT: master-ib-prod-A3
REVISION: 11
DATE: 2018/01/18