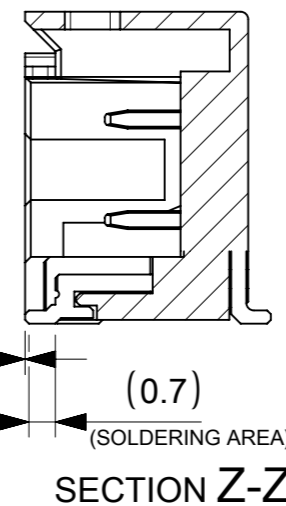
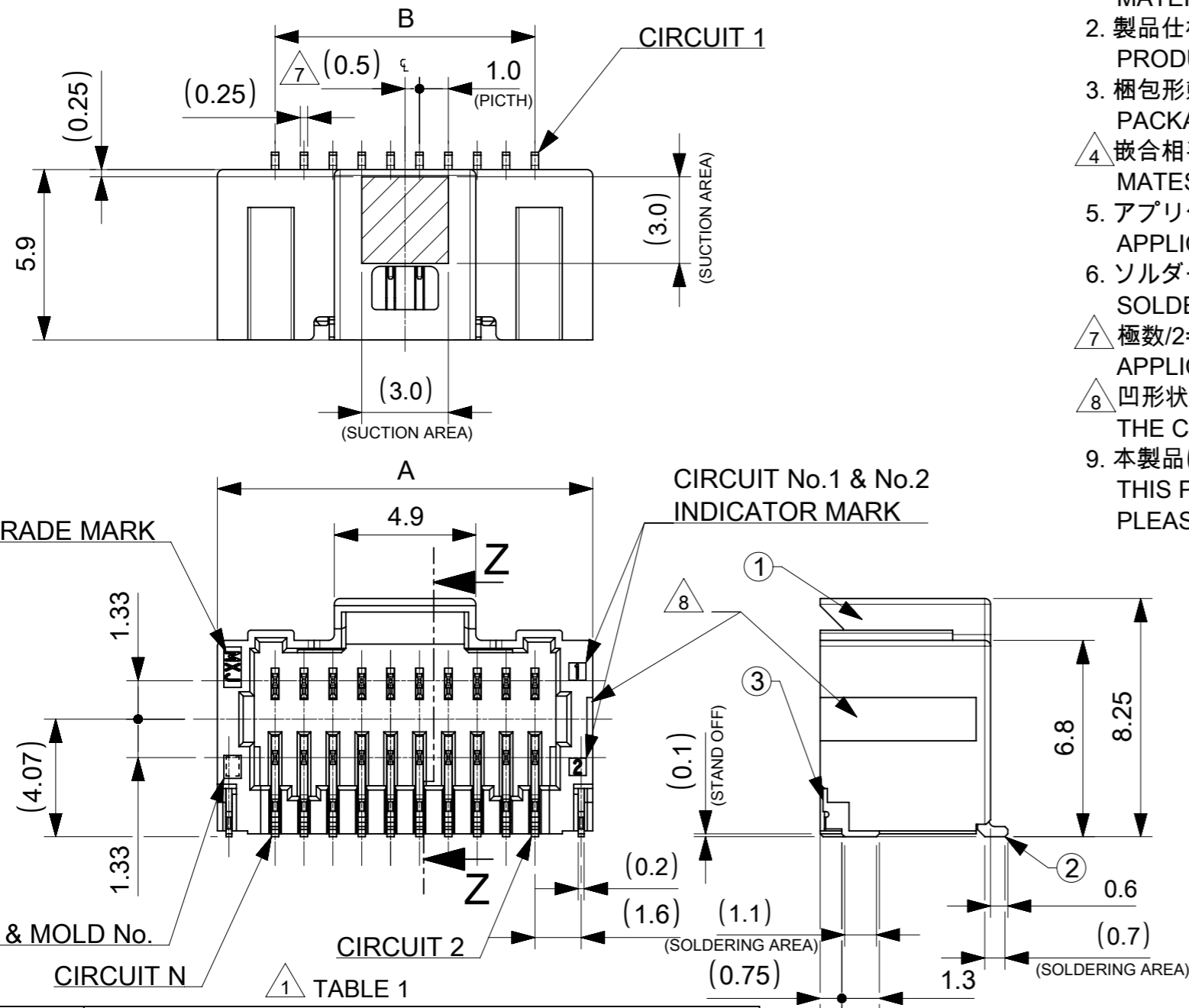


NOTES

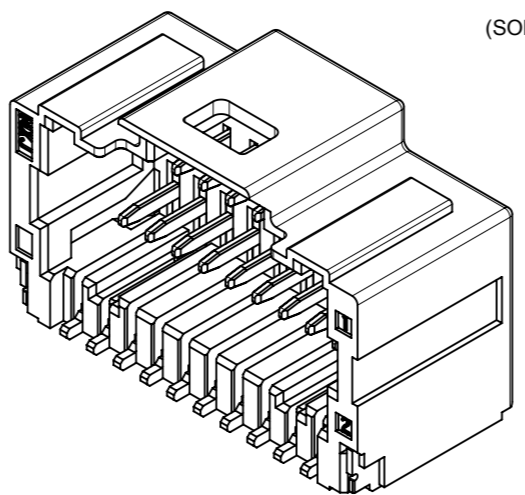
- ① 材料及び仕上げ(めっき仕様) : TABLE 1 参照
MATERIAL AND FINISHES : SEE TABLE 1
- 2. 製品仕様書 : 5011890000-PS 000
PRODUCT SPECIFICATION:
- 3. 梱包形態 : SEE SHEET 3
PACKAGING INFORMATION:
- ④ 嵌合相手 : 501189 シリーズ
MATES WITH:501189 SERIES
- 5. アプリケーション仕様書(コネクタ取扱い説明書) : 5011890000-AS A00(JAPANESE)/A01(ENGLISH)
APPLICATION SPECIFICATION(CONNECTOR MANUAL):
- 6. ソルダーピン及びネイルの平坦度:0.1 MAX.
SOLDER PIN AND NAIL COPLANARITY: 0.1 MAX.
- ⑦ 極数/2=偶数に適用
APPLICABLE FOR CIRCUIT SIZE/2=EVEN
- ⑧ 凹形状はキャビティにより、反対側面に存在します。
THE CONCAVE AREA TO BE SET ON THE REVERSE SIDE DEPENDING ON THE MOLDING CAVITY.
- 9. 本製品は複数の金めっき厚を展開しております。その他の金めっき厚は以下の図面を御参照下さい。
THIS PRODUCT EXIST MULTIPLE GOLD PLATING.
PLEASE REFER TO THE FOLLOWING DRAWING FOR OTHER GOLD PLATING THICKNESS.

| GOLD PLATING THICKNESS [micro-meter MIN.] | SERIES No. | DRAWING No. |
|---|------------|-----------------------|
| 0.1 | 501571 | 5015710000-SD PSD 000 |
| 0.76 | 203567 | 2035670000-SD PSD 000 |



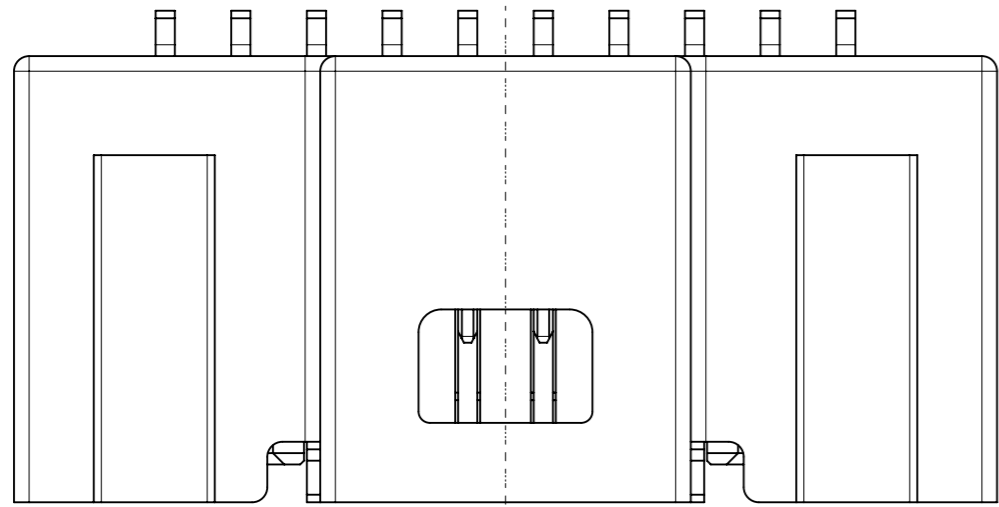
| | | |
|------|------|--------------------|
| 24.0 | 28.0 | 50 |
| 19.0 | 23.0 | 40 |
| 14.0 | 18.0 | 30 |
| 9.0 | 13.0 | 20 |
| B | A | 極数 CIRCUIT SIZE |

| 番号 NO. | 部品 PART | 材質 MATERIAL | |
|--------|------------------------|--|--|
| ① | ウエハー WAFER | ポリアミド(PA), UL94V-0, 色 : SEE SHEET 5 POLYAMIDE(PA), UL94V-0, COLOR : SEE SHEET 5 | |
| ② | ソルダーピン SOLDER PIN | リン青銅 PHOSPHOR BRONZE | |
| | | 接点部 CONTACT AREA | 金めっき : 0.38 MICRO-METER MIN. GOLD PLATING |
| | | テール部 TAIL AREA | 金めっき : 0.05 MICRO-METER MIN. GOLD PLATING |
| | 下地めっき UNDER PLATING | ニッケルめっき : 1.27 MICRO-METER MIN. NICKEL | |
| ③ | ネイル NAIL | 黄銅 BRASS | |
| | | テール部 TAIL AREA | 錫めっき : 1.0 MICRO-METER MIN. MATTE TIN PLATING |
| | | 下地めっき UNDER PLATING | ニッケルめっき : 1.0 MICRO-METER MIN. NICKEL |

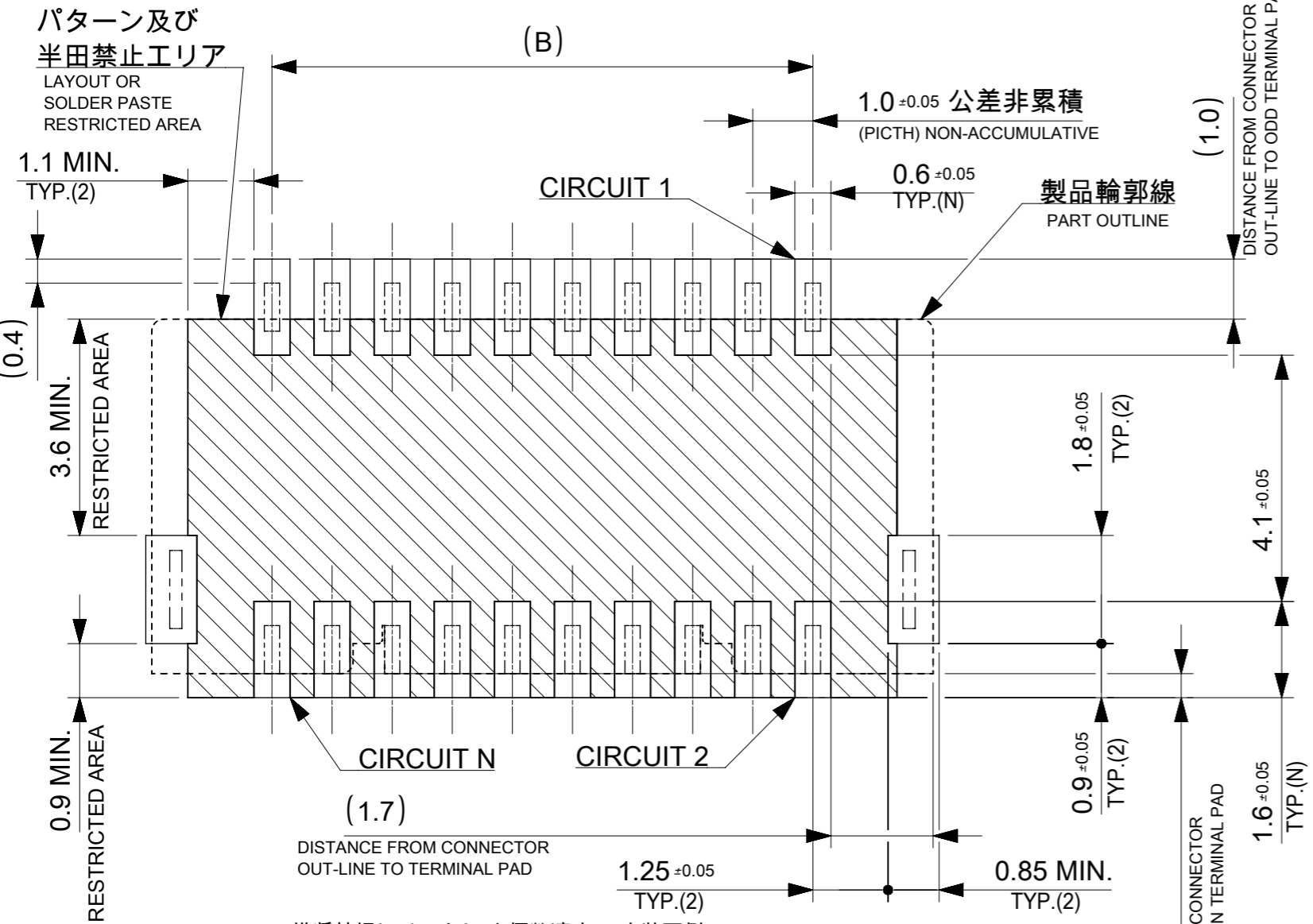


THIS DRAWING CONTAINS INFORMATION THAT IS PROPRIETARY TO MOLEX ELECTRONIC TECHNOLOGIES, LLC AND SHOULD NOT BE USED WITHOUT WRITTEN PERMISSION

| | | | | | |
|--|--------|-----------------------------|--|--------|--|
| DIMENSION UNITS | SCALE | CURRENT REV DESC: | molex | | |
| mm | NTS | | | | |
| GENERAL TOLERANCES (UNLESS SPECIFIED) | | | PICO-CLASP 1.0 W/B DUAL ROW RA SMT GOLD PLATING 0.38 MICRO-METER | | |
| ANGULAR TOL | ± 3.0° | EC NO: 614725 | PRODUCT CUSTOMER DRAWING | | |
| 4 PLACES | ± 0.2 | DRWN: AISHIKAWA 2019/03/29 | DOCUMENT NUMBER | | |
| 3 PLACES | ± 0.2 | CHK'D: AIDA 2019/04/03 | DOC TYPE DOC PART REVISION | | |
| 2 PLACES | ± 0.2 | APPR: KOMURAKAMI 2019/04/03 | 2035660000-SD PSD 000 A | | |
| 1 PLACE | ± 0.2 | INITIAL REVISION: | MATERIAL NUMBER CUSTOMER SHEET NUMBER | | |
| 0 PLACES | ± 0.2 | DRWN: AISHIKAWA 2019/03/29 | SEE SHEET 5 | | |
| DRAFT WHERE APPLICABLE MUST REMAIN WITHIN DIMENSIONS | | THIRD ANGLE PROJECTION | DRAWING | SERIES | |
| | | | A3-SIZE | 203566 | |



製品レイアウト
PRODUCT LAYOUT



パターン及び
半田禁止エリア
LAYOUT OR
SOLDER PASTE
RESTRICTED AREA

0.9 MIN.
RESTRICTED AREA

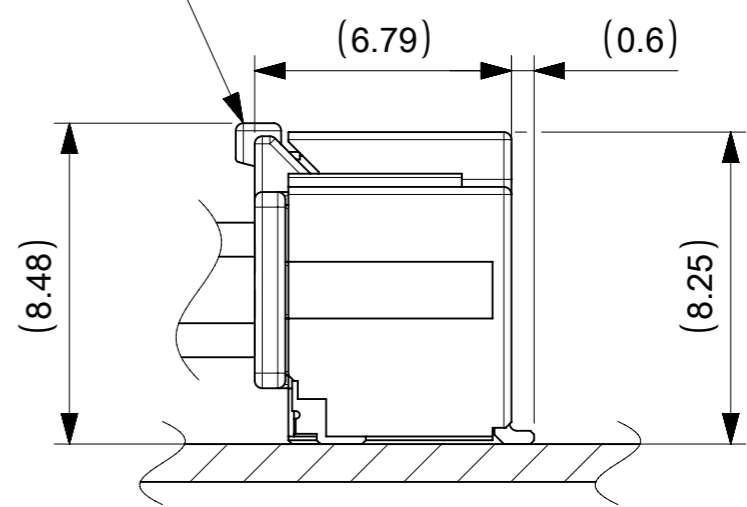
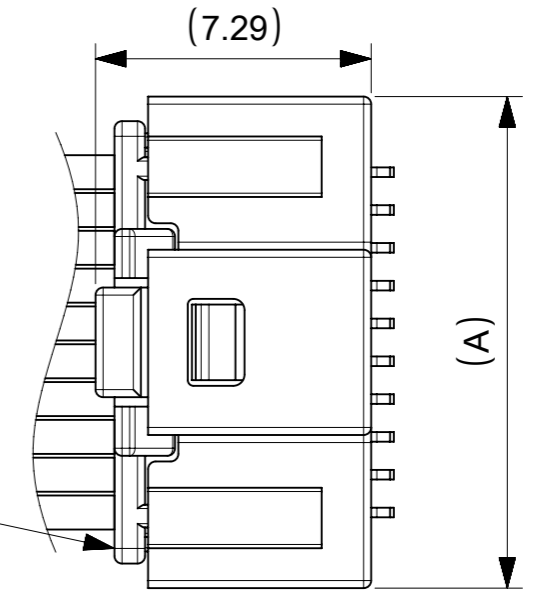
3.6 MIN.
RESTRICTED AREA

推奨基板レイアウト(全極数適応) : 実装面側
(参考 : 基板厚 1.0mm, メタルマスク厚さ 0.12mm, マスク開口率100%)

POLARIZED RECOMMENDED PCB LAYOUT(APPLY TO ALL CIRCUIT) : COMPONENT SIDE
(REFERENCE: PCB THICKNESS 1.0mm, STENCIL THICKNESS 0.12mm, APERTURE RATIO 100%)

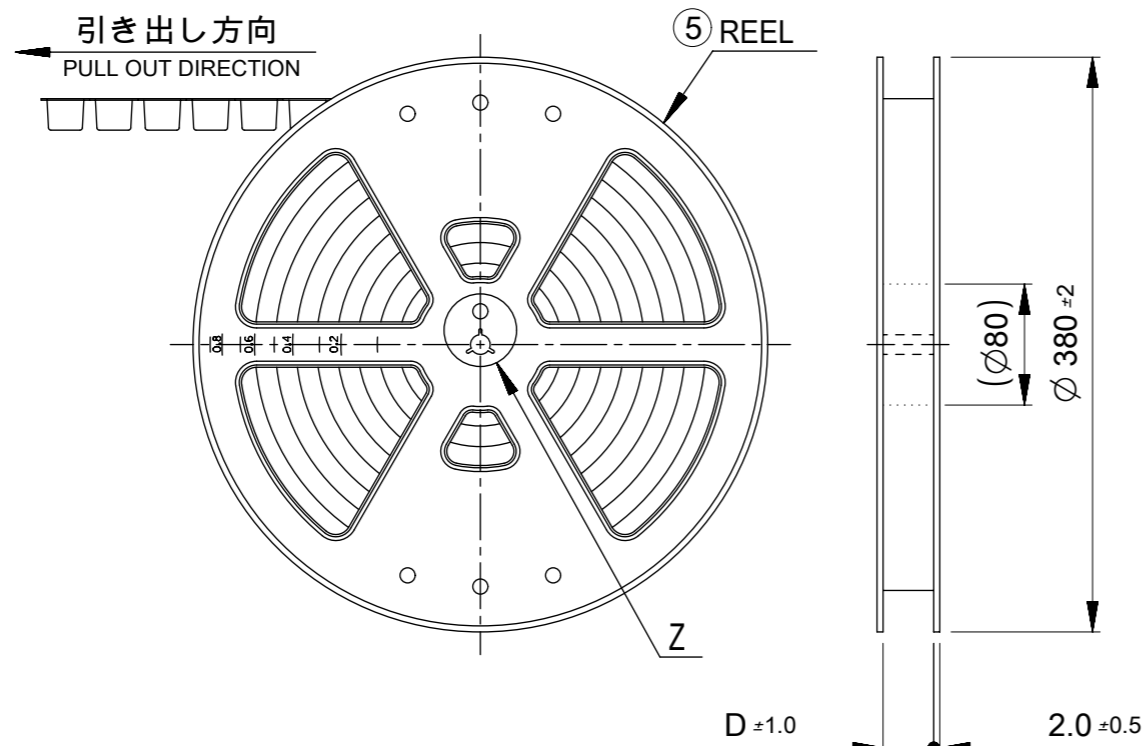
:パターン禁止エリア
RESTRICTED AREA
NO PCB COMPONENTS ALLOWED

△4 嵌合相手:501189シリーズ
MATE WITH : 501189 SERIES



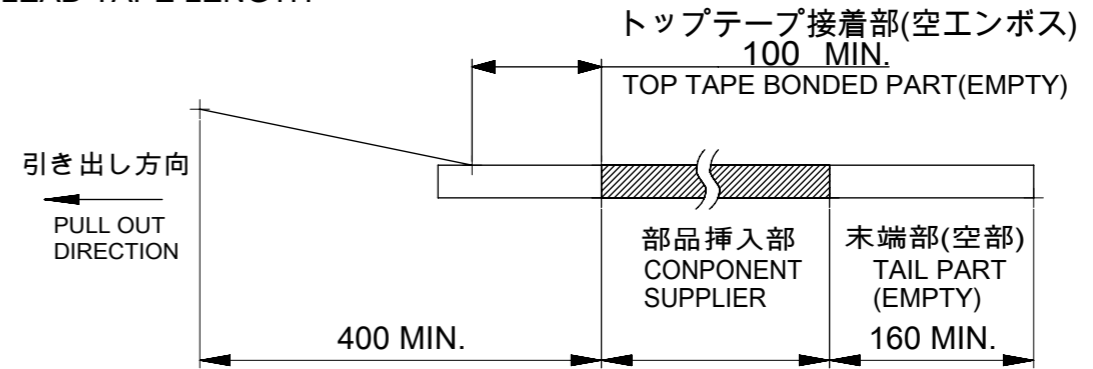
嵌合図
MATED CONNECTORS

| | | | | | |
|---|---------|------------------------|--------------|--|-----------------|
| THIS DRAWING CONTAINS INFORMATION THAT IS PROPRIETARY TO MOLEX ELECTRONIC TECHNOLOGIES, LLC AND SHOULD NOT BE USED WITHOUT WRITTEN PERMISSION | | CURRENT REV DESC: | | | |
| DIMENSION UNITS | SCALE | | | | |
| mm | NTS | | | PICO-CLASP 1.0 W/B DUAL ROW RA SMT GOLD PLATING 0.38 MICRO-METER | |
| GENERAL TOLERANCES (UNLESS SPECIFIED) | | EC NO: 614725 | | DOCUMENT NUMBER | |
| ANGULAR TOL | ± 3.0 ° | DRWN: AISHIKAWA | 2019/03/29 | 2035660000-SD | |
| 4 PLACES | ± 0.2 | CHK'D: AIDA | 2019/04/03 | DOC TYPE | DOC PART |
| 3 PLACES | ± 0.2 | APPR: KOMURAKAMI | 2019/04/03 | PSD | 000 |
| 2 PLACES | ± 0.2 | INITIAL REVISION: | | REVISION | A |
| 1 PLACE | ± 0.2 | DRWN: AISHIKAWA | 2019/03/29 | | |
| 0 PLACES | ± 0.2 | APPR: KOMURAKAMI | 2019/04/03 | | |
| DRAFT WHERE APPLICABLE MUST REMAIN WITHIN DIMENSIONS | | THIRD ANGLE PROJECTION | DRAWING | SERIES | MATERIAL NUMBER |
| | | | A3-SIZE | 203566 | SEE SHEET 5 |
| | | CUSTOMER | SHEET NUMBER | | |
| | | | 2 OF 5 | | |

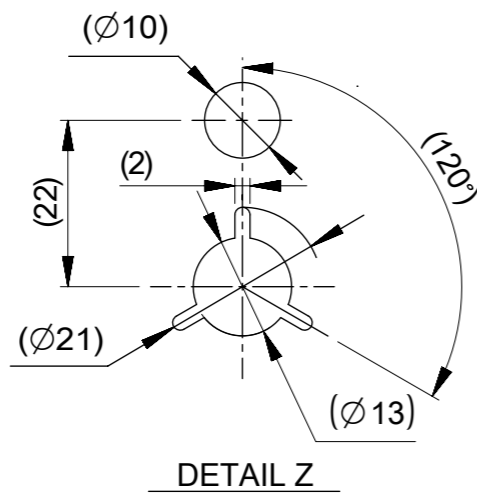


NOTES

- 10. 梱包数量:800個/リール
NUMBER OF CONNECTORS : 800 PIECES/REEL
- 11. リードテープ長さ
LEAD TAPE LENGTH



- 12. トップテープの剥離強度はIEC60286-3に準拠。
TOP TAPE PEELING FORCE IS DEFINED BY IEC60286-3.
- 13. 梱包仕様書 : 2035669200 PS 200
PACKAGE SPECIFICATION:
- △14. 発注番号 : SHEET 5 参照
ORDER No. : PLEASE REFER TO SHEET 5 FOR PRODUCT LIST.



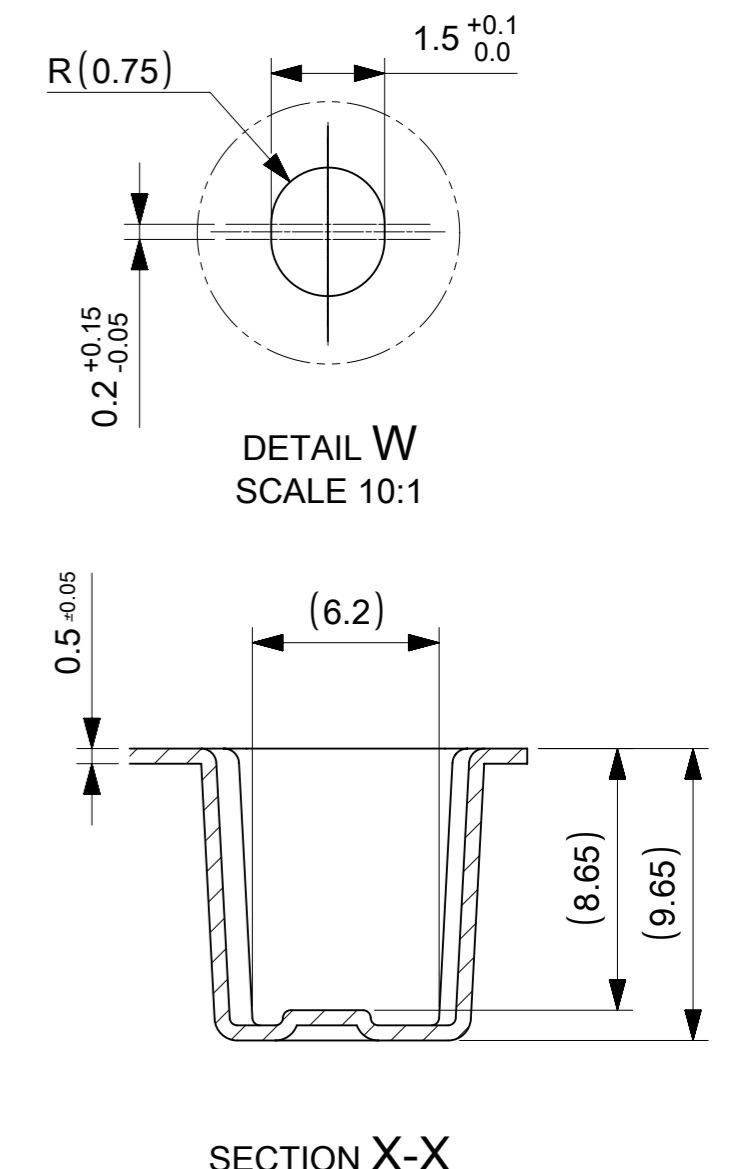
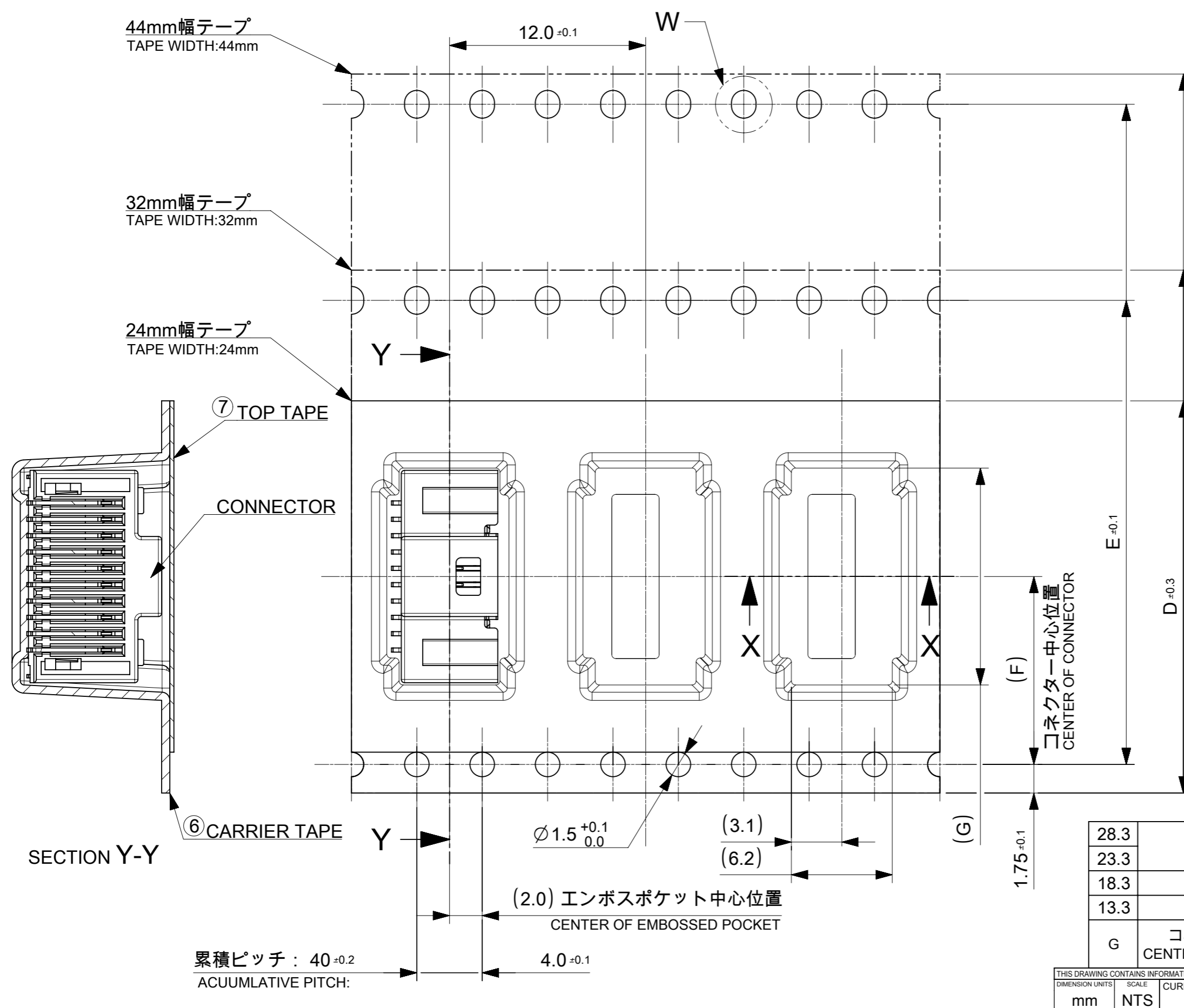
203566 ** * *

| | | |
|--------------------|---------------------------|---------------------------------|
| 極数 CIRCUIT SIZE | ハウジングカラー HOUSING COLOR | 製品識別番号 IDENTIFICATION NUMBER |
| | 0:NATURAL(BEIGE) | 7:EMBOSSED PACKAGE |

| | |
|------|--------------------|
| 45.5 | 50 |
| | 40 |
| 33.5 | 30 |
| 25.5 | 20 |
| D | 極数 CIRCUIT SIZE |

| | | | | | |
|---|---------|-----------------------------|---------|--|--------------|
| THIS DRAWING CONTAINS INFORMATION THAT IS PROPRIETARY TO MOLEX ELECTRONIC TECHNOLOGIES, LLC AND SHOULD NOT BE USED WITHOUT WRITTEN PERMISSION | | CURRENT REV DESC: | | molex | |
| DIMENSION UNITS | SCALE | EC NO: 614725 | | | |
| mm | NTS | DRWN: AISHIKAWA 2019/03/29 | | PICO-CLASP 1.0 W/B DUAL ROW RA SMT GOLD PLATING 0.38 MICRO-METER | |
| GENERAL TOLERANCES (UNLESS SPECIFIED) | | CHK'D: AIDA 2019/04/03 | | | |
| ANGULAR TOL | ± 3.0 ° | APPR: KOMURAKAMI 2019/04/03 | | PRODUCT CUSTOMER DRAWING | |
| 4 PLACES | ± 0.2 | INITIAL REVISION: | | DOCUMENT NUMBER | |
| 3 PLACES | ± 0.2 | DRWN: AISHIKAWA 2019/03/29 | | 2035660000-SD | |
| 2 PLACES | ± 0.2 | APPR: KOMURAKAMI 2019/04/03 | | DOC TYPE | DOC PART |
| 1 PLACE | ± 0.2 | MATERIAL NUMBER | | PSD | 000 |
| 0 PLACES | ± 0.2 | CUSTOMER | | A | |
| DRAFT WHERE APPLICABLE MUST REMAIN WITHIN DIMENSIONS | | THIRD ANGLE PROJECTION | DRAWING | SERIES | SHEET NUMBER |
| | | | A3-SIZE | 203566 | 3 OF 5 |

| 番号 NO. | 部品 PART | 材質 MATERIAL |
|-----------------|-------------|--|
| ⑤ | リール REEL | ポリスチレン(PS) <リサイクル材を含む> POLYSTYRENE(PS) <RECYCLE MATERIAL CONTAINED> |
| DOCUMENT STATUS | P1 | RELEASE DATE 2019/04/03 09:48:56 |



| | | | | |
|------|-----------------------------------|------|-----------------------------|--------------------|
| 28.3 | | | | 50 |
| 23.3 | 20.2 | 40.4 | 44.0 | 40 |
| 18.3 | 14.2 | 28.4 | 32.0 | 30 |
| 13.3 | 11.5 | - | 24.0 | 20 |
| G | コネクタ中心位置 F CENTER OF CONNECTOR | E | エンボステープ幅 D WIDTH OF TAPE | 極数 CIRCUIT SIZE |

| | | | | | |
|---|--------|--|--|------------------------------|--|
| THIS DRAWING CONTAINS INFORMATION THAT IS PROPRIETARY TO MOLEX ELECTRONIC TECHNOLOGIES, LLC AND SHOULD NOT BE USED WITHOUT WRITTEN PERMISSION | | CURRENT REV DESC: | | molex | |
| DIMENSION UNITS | SCALE | EC NO: 614725 | | | |
| mm | NTS | DRWN: AISHIKAWA 2019/03/29 | | PICO-CLASP 1.0 W/B | |
| GENERAL TOLERANCES (UNLESS SPECIFIED) | | CHK'D: AIDA 2019/04/03 | | DUAL ROW RA SMT GOLD PLATING | |
| ANGULAR TOL | ± 3.0° | APPR: KOMURAKAMI 2019/04/03 | | 0.38 MICRO-METER | |
| 4 PLACES | ± 0.2 | INITIAL REVISION: | | PRODUCT CUSTOMER DRAWING | |
| 3 PLACES | ± 0.2 | DRWN: AISHIKAWA 2019/03/29 | | DOCUMENT NUMBER | |
| 2 PLACES | ± 0.2 | APPR: KOMURAKAMI 2019/04/03 | | 2035660000-SD | |
| 1 PLACE | ± 0.2 | DRAFT WHERE APPLICABLE MUST REMAIN WITHIN DIMENSIONS | | DOC TYPE | |
| 0 PLACES | ± 0.2 | THIRD ANGLE PROJECTION | | PSD | |
| | | DRAWING | | DOC PART | |
| | | A3-SIZE | | 000 | |
| | | SERIES | | REVISION | |
| | | 203566 | | A | |
| | | MATERIAL NUMBER | | SHEET NUMBER | |
| | | SEE SHEET 5 | | 4 OF 5 | |
| | | CUSTOMER | | | |

| 番号 NO. | 部品 PART | 材質 MATERIAL |
|--------|-------------------------|--|
| ⑥ | キャリアテープ CARRIER TAPE | ポリプロピレン(PP)、その他 POLYPROPYLEN(PP), etc |
| ⑦ | トップテープ TOP TAPE | ポリエチレン(PE)、その他 POLYETHYLENE(PE), etc |

| | | | | |
|-----------------|----|--------------|------------|----------|
| DOCUMENT STATUS | P1 | RELEASE DATE | 2019/04/03 | 09:48:56 |
|-----------------|----|--------------|------------|----------|

9 8 7 6 5 4 3 2 1

E

E

D

D

C

C

B

B

A

A

△14 製品一覧 PRODUCT LIST

| | |
|---|--------------|
| HOUSING COLOR | |
| NATURAL(BEIGE) | |
| 203566 5007 | 50 |
| 203566 4007 | 40 |
| 203566 3007 | 30 |
| 203566 2007 | 20 |
| 発注番号 ORDER No. | 極数 |
| 梱包形態 : エンボスリール PACKAGE:EMBOSSED REEL | CIRCUIT SIZE |

| | | | | | | | | | | | |
|---|---------|-----------------------------|---------|--------|-----------------|----------|------------------------------|--------------|----------|----------|----------|
| THIS DRAWING CONTAINS INFORMATION THAT IS PROPRIETARY TO MOLEX ELECTRONIC TECHNOLOGIES, LLC AND SHOULD NOT BE USED WITHOUT WRITTEN PERMISSION | | | | | | | | | | | |
| DIMENSION UNITS | SCALE | CURRENT REV DESC: | | | | | molex | | | | |
| mm | NTS | | | | | | | | | | |
| GENERAL TOLERANCES (UNLESS SPECIFIED) | | EC NO: 614725 | | | | | PICO-CLASP 1.0 W/B | | | | |
| ANGULAR TOL | ± 3.0 ° | DRWN: AISHIKAWA 2019/03/29 | | | | | DUAL ROW RA SMT GOLD PLATING | | | | |
| 4 PLACES | ± 0.2 | CHK'D: AIDA 2019/04/03 | | | | | 0.38 MICRO-METER | | | | |
| 3 PLACES | ± 0.2 | APPR: KOMURAKAMI 2019/04/03 | | | | | PRODUCT CUSTOMER DRAWING | | | | |
| 2 PLACES | ± 0.2 | INITIAL REVISION: | | | | | DOCUMENT NUMBER | | DOC TYPE | DOC PART | REVISION |
| 1 PLACE | ± 0.2 | DRWN: AISHIKAWA 2019/03/29 | | | | | 2035660000-SD | | PSD | 000 | A |
| 0 PLACES | ± 0.2 | APPR: KOMURAKAMI 2019/04/03 | | | | | | | | | |
| DRAFT WHERE APPLICABLE MUST REMAIN WITHIN DIMENSIONS | | THIRD ANGLE PROJECTION | DRAWING | SERIES | MATERIAL NUMBER | CUSTOMER | | SHEET NUMBER | | | |
| | | | A3-SIZE | 203566 | SEE SHEET 5 | | | 5 OF 5 | | | |

| | | | | |
|-----------------|----|--------------|------------|----------|
| DOCUMENT STATUS | P1 | RELEASE DATE | 2019/04/03 | 09:48:56 |
|-----------------|----|--------------|------------|----------|

9 8 7 6 5 4 3 2 1

FORMAT: master-ib-prod-A3
REVISION: 14
DATE: 2018/01/18