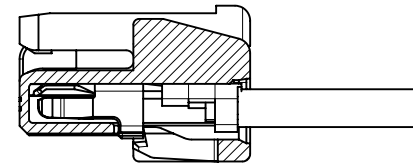
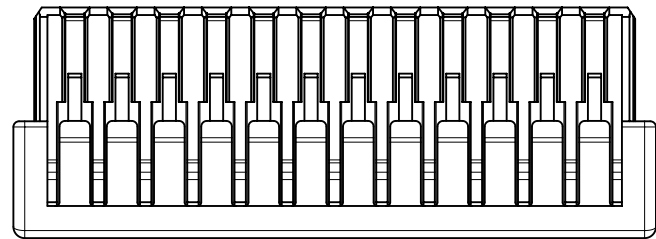


奇数キャビティ : キャビティ番号及び金型番号  
 偶数キャビティ : トレードマーク  
 ODD CAV:CAVITY & MOLD NO.  
 EVEN CAV:TRADE MARK

奇数キャビティ : トレードマーク  
 偶数キャビティ : キャビティ番号及び金型番号  
 ODD CAV:TRADE MARK  
 EVEN CAV:CAVITY & MOLD NO.



ターミナル装着図  
 TERMINAL ASSEMBLY DRAWING

注記 NOTES

- △1 材料 : TABLE 1参照  
 MATERIAL : SEE TABLE 1.
- △2 偶数極に適用。  
 APPLY FOR EVEN CKT.
- △3 製品仕様書、アプリケーション仕様書、適応嵌合相手、適応ターミナルはSHEET3をご参照ください。  
 PLEASE REFER TO SHEET 3 FOR PRODUCT SPECIFICATION, APPLICATION SPECIFICATION.
- △4 製品番号 MATERIAL NO.

204532\*\*0\*

極数 CIRCUIT SIZE	↑	↑	番号 NO.	ハウジングカラー HOUSING COLOR
			0	ナチュラル ( ベージュ ) NATURAL(BEIGE)
			1	黒 BLACK

18.75	22	16
17.5	20.75	15
16.25	19.5	14
15	18.25	13
13.75	17	12
12.5	15.75	11
11.25	14.5	10
10	13.25	9
8.75	12	8
7.5	10.75	7
6.25	9.5	6
5	8.25	5
3.75	7	4
2.5	5.75	3
1.25	4.5	2
B	A	極数 CIRCUIT SIZE

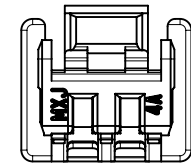
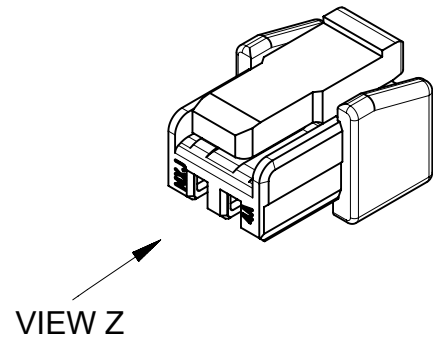
△1 TABLE 1

部品 PART	材質 MATERIAL
ハウジング HOUSING	ポリエステル(PBT), UL94 V-0, 色 : シート3参照 POLYESTER(PBT), UL94 V-0, COLOR : SEE SHEET3.
DOCUMENT STATUS	P1 RELEASE DATE 2019/08/20 06:36:18

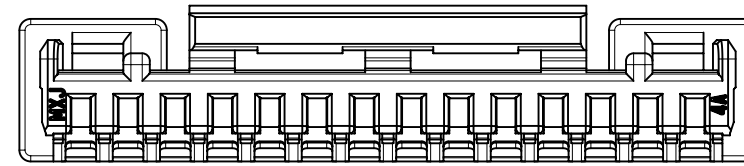
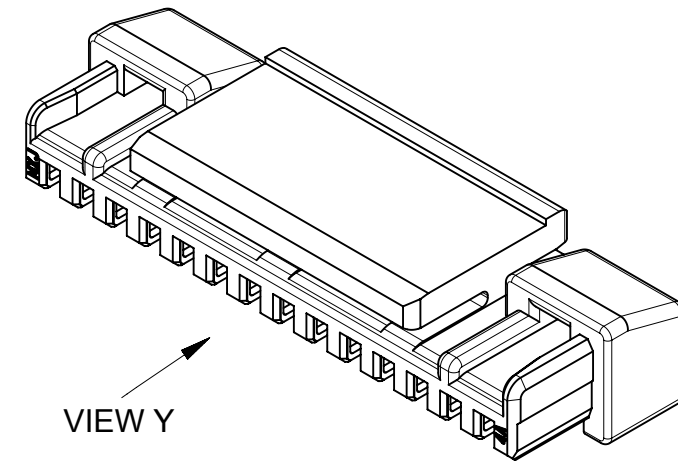
THIS DRAWING CONTAINS INFORMATION THAT IS PROPRIETARY TO MOLEX ELECTRONIC TECHNOLOGIES, LLC AND SHOULD NOT BE USED WITHOUT WRITTEN PERMISSION

DIMENSION UNITS mm	SCALE NTS	CURRENT REV DESC: RELEASED		<b>molex</b>		
GENERAL TOLERANCES (UNLESS SPECIFIED)		EC NO: 621849				
ANGULAR TOL ± 3.0 °	4 PLACES ± 0.2	DRWN: TAKAIKE	2019/08/01	PRODUCT CUSTOMER DRAWING		
3 PLACES ± 0.2	2 PLACES ± 0.2	CHK'D: SAKIYAMA	2019/08/20	DOCUMENT NUMBER		
1 PLACE ± 0.2	0 PLACES ± 0.2	APPR: AIDA	2019/08/20	2045320000-SD		
DRAFT WHERE APPLICABLE MUST REMAIN WITHIN DIMENSIONS		INITIAL REVISION:		DOC TYPE	DOC PART	REVISION
THIRD ANGLE PROJECTION		DRWN: RWATANABE01	2017/09/15	PSD	000	C
DRAWING		APPR: TKANEKO	2017/09/26	SHEET NUMBER		
A3-SIZE		SERIES	204532	1 OF 3		
MATERIAL NUMBER		CUSTOMER				
SEE SHEET3		GENERAL				

製品形状  
PRODUCT SHAPE



VIEW Z  
2-13極  
2-13 CIRCUIT



VIEW Y  
14-16極  
14-16 CIRCUIT

THIS DRAWING CONTAINS INFORMATION THAT IS PROPRIETARY TO MOLEX ELECTRONIC TECHNOLOGIES, LLC AND SHOULD NOT BE USED WITHOUT WRITTEN PERMISSION										
DIMENSION UNITS	SCALE	CURRENT REV DESC: RELEASED				<b>molex</b>				
mm	NTS									
GENERAL TOLERANCES (UNLESS SPECIFIED)						MICRO-LOCK PLUS 1.25 W/B SINGLE ROW RECEPTACLE HOUSING LOW-HALOGEN				
ANGULAR TOL	± 3.0 °	EC NO: 621849				PRODUCT CUSTOMER DRAWING				
4 PLACES	± 0.2	DRWN: TAKAIKE		2019/08/01		DOCUMENT NUMBER				
3 PLACES	± 0.2	CHK'D: SAKIYAMA		2019/08/20		2045320000-SD		DOC TYPE	DOC PART	REVISION
2 PLACES	± 0.2	APPR: AIDA		2019/08/20				PSD	000	C
1 PLACE	± 0.2	INITIAL REVISION:								
0 PLACES	± 0.2	DRWN: RWATANABE01		2017/09/15						
DRAFT WHERE APPLICABLE MUST REMAIN WITHIN DIMENSIONS		APPR: TKANEKO		2017/09/26		MATERIAL NUMBER		CUSTOMER		SHEET NUMBER
		THIRD ANGLE PROJECTION		DRAWING		SERIES		GENERAL		2 OF 3
		A3-SIZE		204532		SEE SHEET3				

△3 適応製品及び各種仕様書 APPLICABLE PRODUCTS AND VARIOUS SPECIFICATIONS


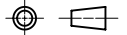
梱包仕様書 PACKAGING SPECIFICATION	製品番号 PART NUMBER	仕様書番号 SPECIFICATION NUMBER
	204532**0*	2045329200 PS 200

適応端子 APPLICABLE TERMINAL	製品番号 PART NUMBER	めっきタイプ PLATING TYPE	電線サイズ WIRE SIZE(AWG)
	5054311000	TIN	#26-30
	5054311100	GOLD	

適用嵌合相手 MATE WITH	TIN PLATING		GOLD PLATING	
	VERTICAL	VERTICAL (FOR POTTING)	VERTICAL	RIGHT ANGLE
シリーズ番号 SERIES NO.	204530**7*	205957**7*	204530**8*	204529**8*
製品仕様書 PRODUCT SPECIFICATION	2045320000-PS PS 000	2045320001-PS PS 000	2045320000-PS PS 001	
アプリケーション仕様書 APPLICATION SPECIFICATION	AS-505565-001 (JAPANESE/ENGLISH)			

△4 204532\*\*0\* 製品番号一覧 PRODUCT NUMBER LIST

黒 BLACK	ナチュラル(ベージュ) NATURAL(BEIGE)	HOUSING COLOR
2045321601	2045321600	16
2045321501	2045321500	15
2045321401	2045321400	14
2045321301	2045321300	13
2045321201	2045321200	12
2045321101	2045321100	11
2045321001	2045321000	10
2045320901	2045320900	9
2045320801	2045320800	8
2045320701	2045320700	7
2045320601	2045320600	6
2045320501	2045320500	5
2045320401	2045320400	4
2045320301	2045320300	3
2045320201	2045320200	2
発注番号 ORDER NO.		極数 CIRCUIT SIZE
梱包形態: ポリ袋 PACKAGING: POLYBAG PACKAGE		

THIS DRAWING CONTAINS INFORMATION THAT IS PROPRIETARY TO MOLEX ELECTRONIC TECHNOLOGIES, LLC AND SHOULD NOT BE USED WITHOUT WRITTEN PERMISSION									
DIMENSION UNITS	SCALE	CURRENT REV DESC: RELEASED			 MICRO-LOCK PLUS 1.25 W/B SINGLE ROW RECEPTACLE HOUSING LOW-HALOGEN				
mm	NTS								
GENERAL TOLERANCES (UNLESS SPECIFIED)		EC NO: 621849			PRODUCT CUSTOMER DRAWING DOCUMENT NUMBER: 2045320000-SD   DOC TYPE: PSD   DOC PART: 000   REVISION: C				
ANGULAR TOL ± 3.0°		DRWN: TAKAIKE 2019/08/01							
4 PLACES ± 0.2		CHK'D: SAKIYAMA 2019/08/20			INITIAL REVISION: DRWN: RWATANABE01 2017/09/15 APPR: TKANEKO 2017/09/26				
3 PLACES ± 0.2		APPR: AIDA 2019/08/20							
2 PLACES ± 0.2					DRAFT WHERE APPLICABLE MUST REMAIN WITHIN DIMENSIONS				
1 PLACE ± 0.2									
0 PLACES ± 0.2					THIRD ANGLE PROJECTION  DRAWING: A3-SIZE   SERIES: 204532   MATERIAL NUMBER: SEE SHEET3   CUSTOMER: GENERAL   SHEET NUMBER: 3 OF 3				