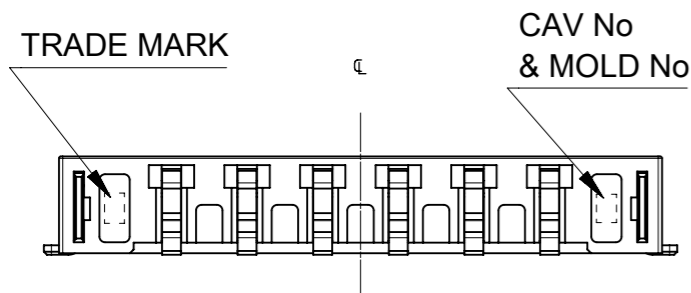
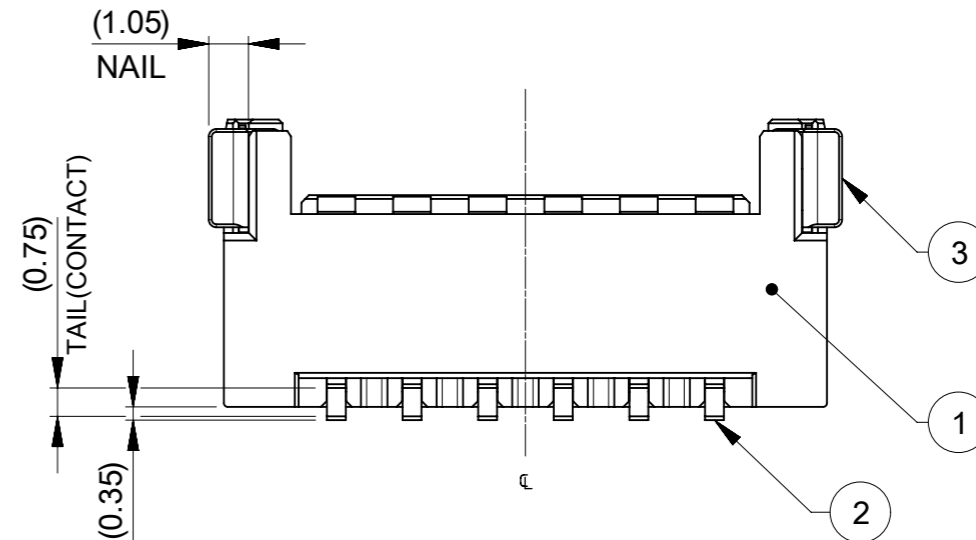
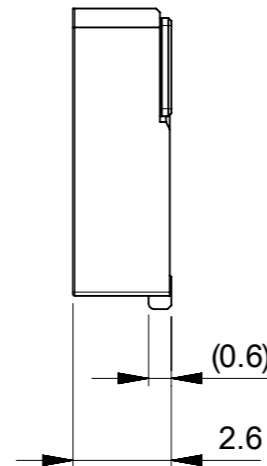
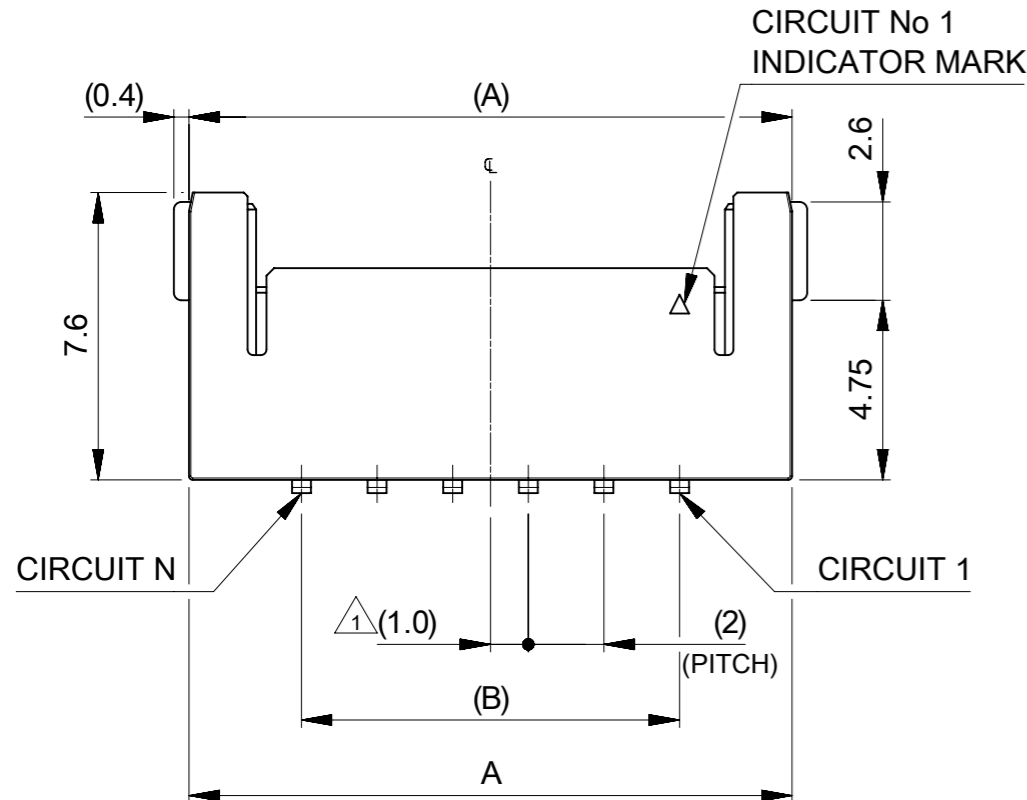
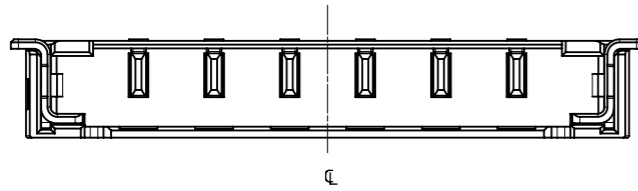
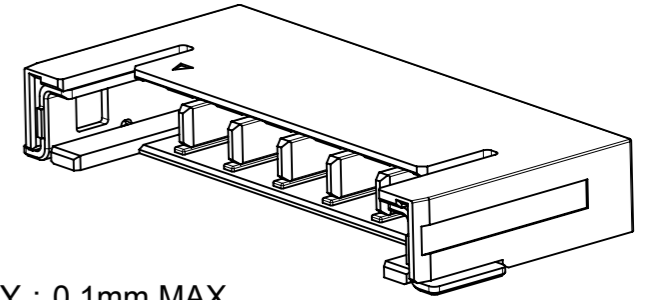


NOTES

- ① 偶数極の製品に適用
APPLY EVEN CIRCUIT PRODUCTS.
- ② 材質及び仕上げ(めっき仕様) : TABLE 1参照
MATERIAL AND FINISHES: SEE TABLE 1
- ③ ソルダータイルとネイルの平坦度 : 0.1mm MAX
SOLDER TAIL AND FITTING NAIL COPLANARITY : 0.1mm MAX
- ④ パターン非推奨エリア
PATTERN IS NOT RECCOMENDED ON THE HATCHED AREA.
- ⑤ 適用製品及び各種仕様書はSHEET 4を参照のこと
REFER TO SHEET 4 ABOUT APPLICABLE PRODUCTS AND VARIOUS SPECIFICATIONS



② TABLE 1

番号 NO	部品 PART	材質 MATERIAL
①	ハウジング HOUSING	ポリアミド(PA), UL94V-0, 色 : 黒 POLYAMIDE(PA), UL94V-0, COLOR : BLACK
②	ターミナル TERMINAL	銅合金 COPPER ALLOY
		コンタクト部 : 金めっき 0.1 micro-meters MINI CONTACT AREA: GOLD PLATING 0.1 micro-meters MIN
		半田付け部 : 金めっき TAIL AREA: GOLD PLATING
③	ネイル NAIL	銅合金 COPPER ALLOY
		錫めっき 1.0 micro-meter MIN MATTE TIN PLATING 1.0 micro-meter MIN
		ニッケルめっき(下地) 1.0 micro-meter MIN NICKEL PLATING (UNDER PLATING) 1.0 micro-meter MIN

10	15.95	6
8	13.95	5
6	11.95	4
4	9.95	3
2	7.95	2
B	A	CIRCUIT

THIS DRAWING CONTAINS INFORMATION THAT IS PROPRIETARY TO MOLEX ELECTRONIC TECHNOLOGIES, LLC AND SHOULD NOT BE USED WITHOUT WRITTEN PERMISSION

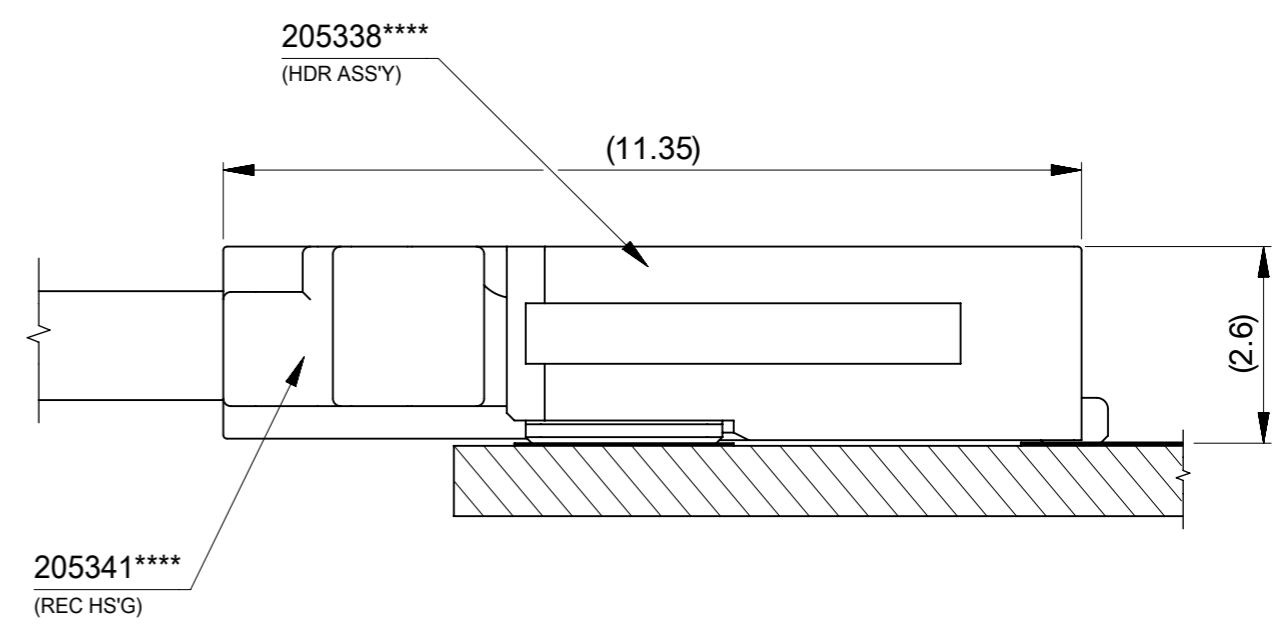
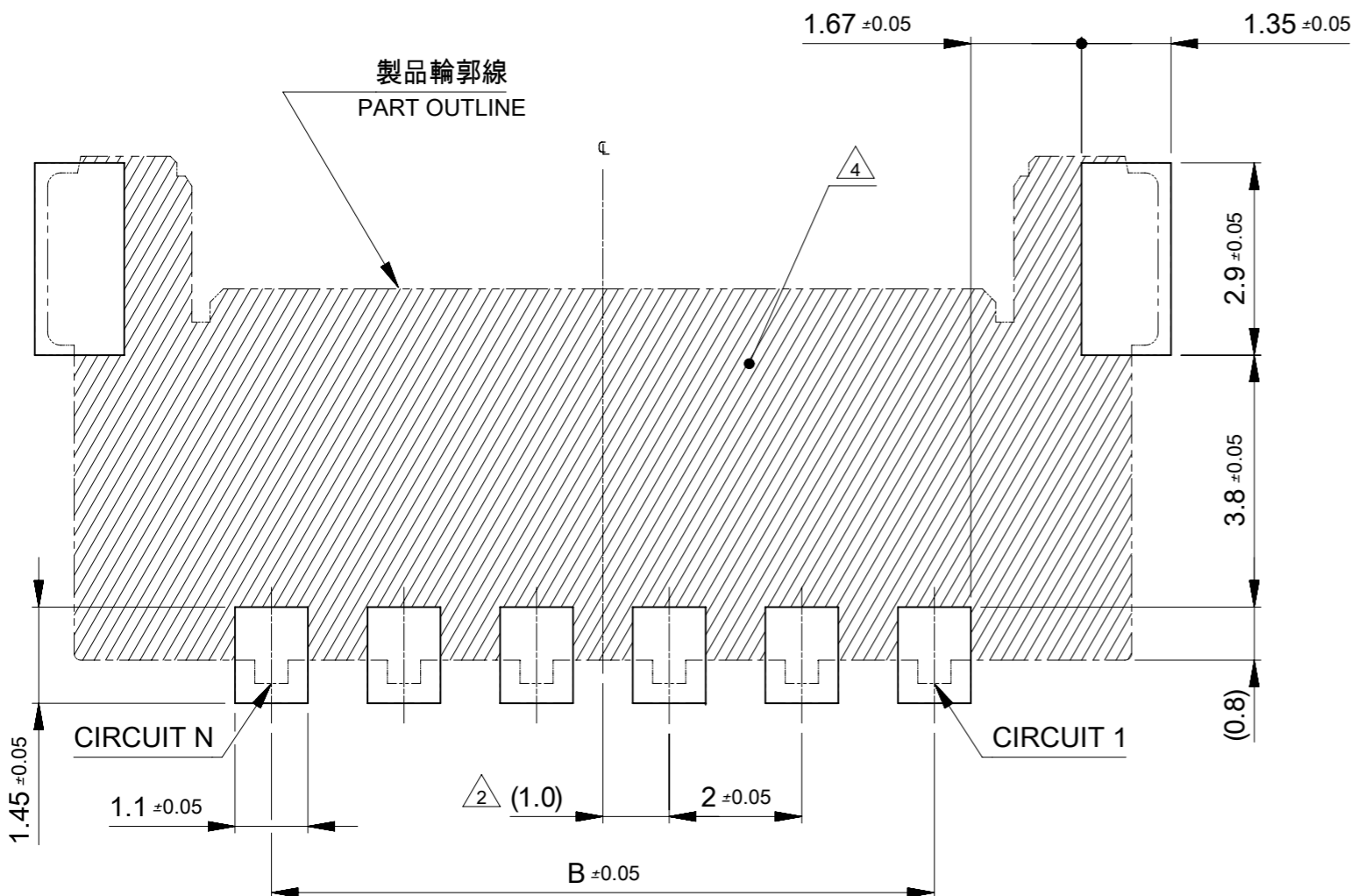
DIMENSION UNITS	SCALE	CURRENT REV DESC:	
mm	NTS		
GENERAL TOLERANCES (UNLESS SPECIFIED)			
ANGULAR TOL	± 3.0 °	EC NO: 632449	
4 PLACES	± 0.2	DRWN: QHE31	2019/01/25
3 PLACES	± 0.2	CHK'D: SAKIYAMA	2020/02/19
2 PLACES	± 0.2	APPR: KOMURAKAMI	2020/02/19
1 PLACE	± 0.2	INITIAL REVISION:	
0 PLACES	± 0.2	DRWN: QHE31	2019/01/25
DRAFT WHERE APPLICABLE MUST REMAIN WITHIN DIMENSIONS		APPR: KOMURAKAMI	2020/02/19
THIRD ANGLE PROJECTION		DRAWING	SERIES
		A3-SIZE	205338
MATERIAL NUMBER		CUSTOMER	SHEET NUMBER
SEE CHART OF SHEET 1		GENERAL	1 OF 4

molex

PICO-LOCK 2.0 PLUG ASSY
SINGLE-ROW SMT R/A TYPE GOLD PLATING

PRODUCT CUSTOMER DRAWING

DOCUMENT NUMBER	DOC TYPE	DOC PART	REVISION
2053380000-SD	PSD	000	A

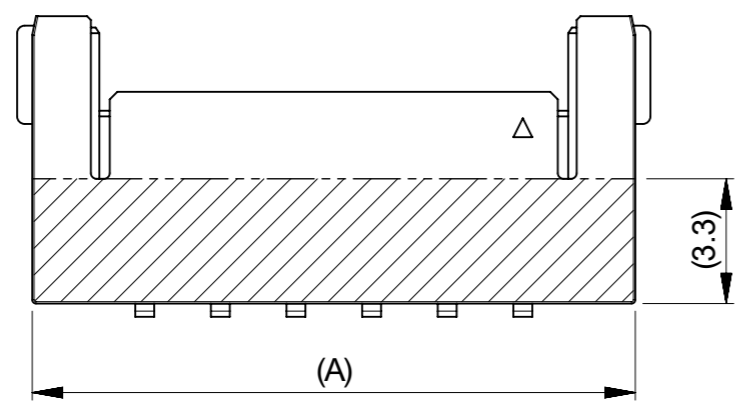


MATED CONNECTORS

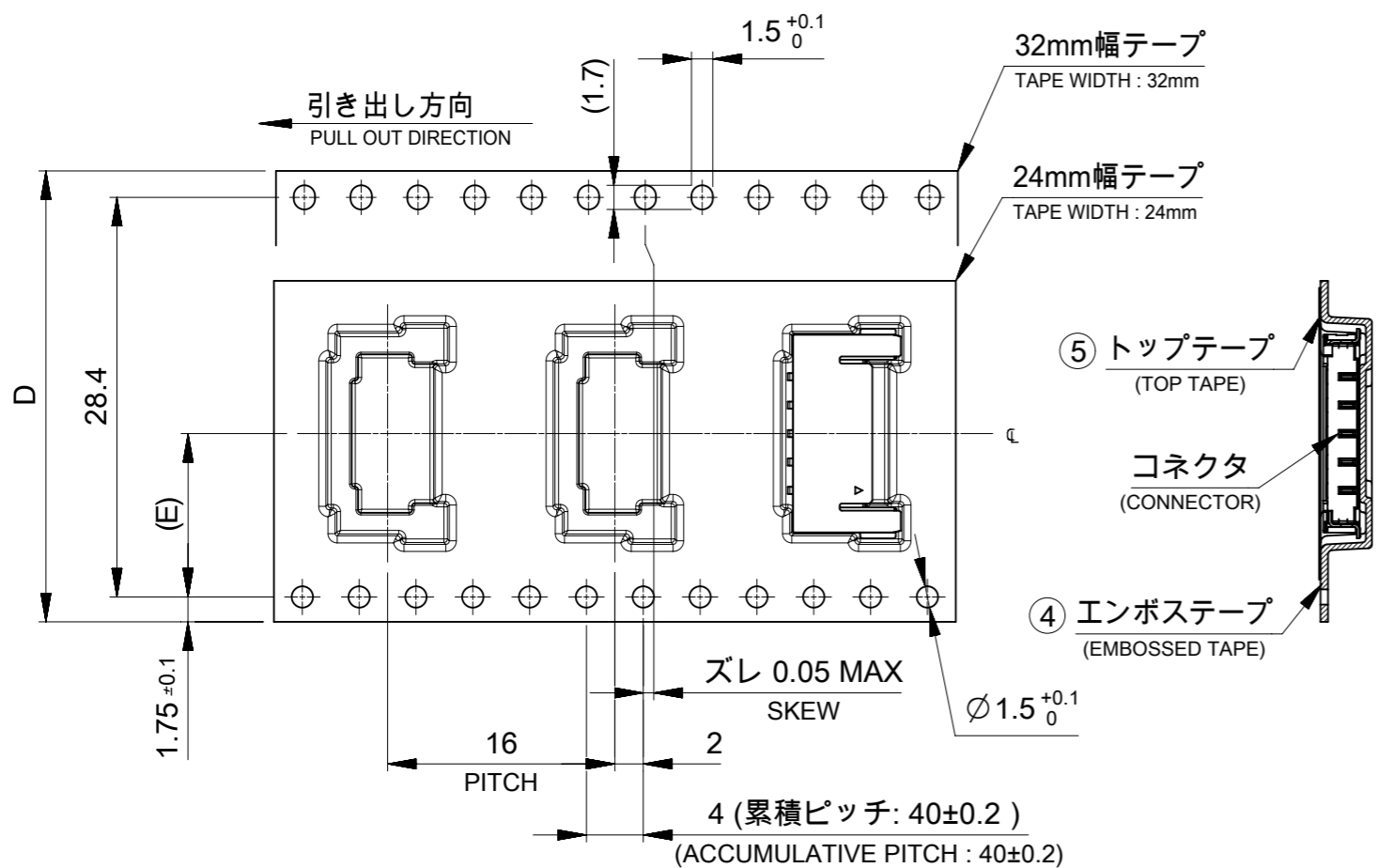
RECOMMENDED PATTERN LAYOUT (REF)

推奨メタルマスク厚さ:0.1mm、開口率:100%
RECOMMENDED STENCIL THICKNESS: 0.1mm, APERTURE RATIO: 100%

吸着エリア
PICK-UP AREA

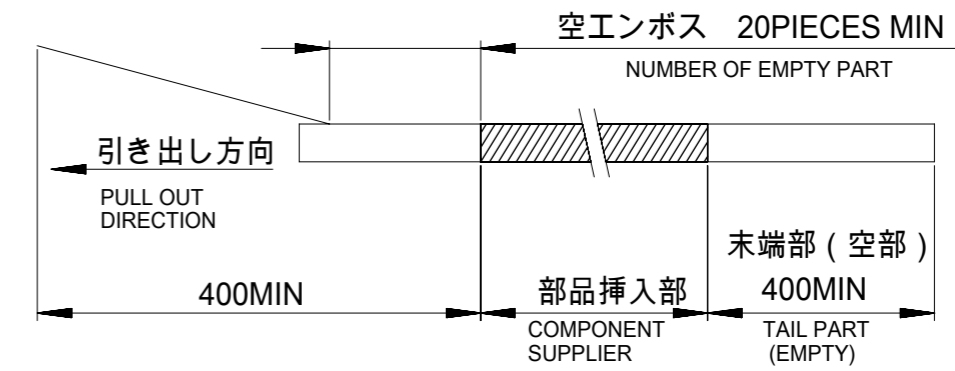


THIS DRAWING CONTAINS INFORMATION THAT IS PROPRIETARY TO MOLEX ELECTRONIC TECHNOLOGIES, LLC AND SHOULD NOT BE USED WITHOUT WRITTEN PERMISSION									
DIMENSION UNITS		SCALE		CURRENT REV DESC:				molex	
mm		NTS							
GENERAL TOLERANCES (UNLESS SPECIFIED)				EC NO: 632449				PICO-LOCK 2.0 PLUG ASSY SINGLE-ROW SMT R/A TYPE GOLD PLATING	
ANGULAR TOL ± 3.0 °				DRWN: QHE31 2019/01/25					
4 PLACES ± 0.2				CHK'D: SAKIYAMA 2020/02/19					
3 PLACES ± 0.2				APPR: KOMURAKAMI 2020/02/19				PRODUCT CUSTOMER DRAWING	
2 PLACES ± 0.2				INITIAL REVISION:				DOCUMENT NUMBER	
1 PLACE ± 0.2				DRWN: QHE31 2019/01/25				2053380000-SD	
0 PLACES ± 0.2				APPR: KOMURAKAMI 2020/02/19				PSD 000 A	
DRAFT WHERE APPLICABLE MUST REMAIN WITHIN DIMENSIONS		THIRD ANGLE PROJECTION		DRAWING		SERIES		MATERIAL NUMBER	
		⊕		A3-SIZE		205338		SEE CHART OF SHEET 1	
CUSTOMER		GENERAL		SHEET NUMBER		2 OF 4			



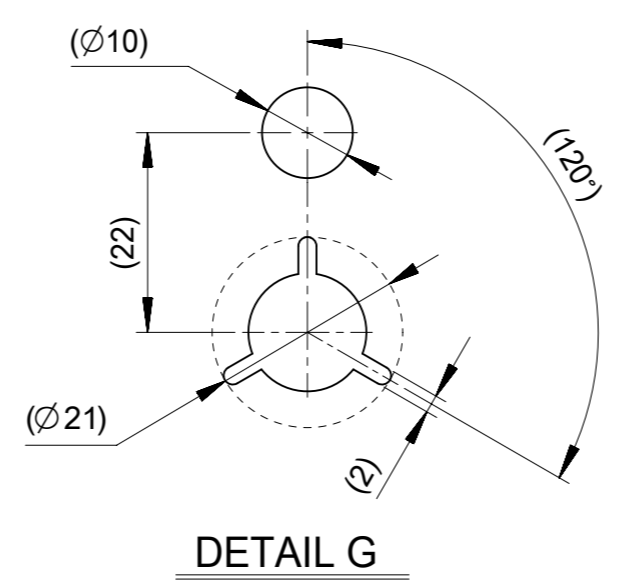
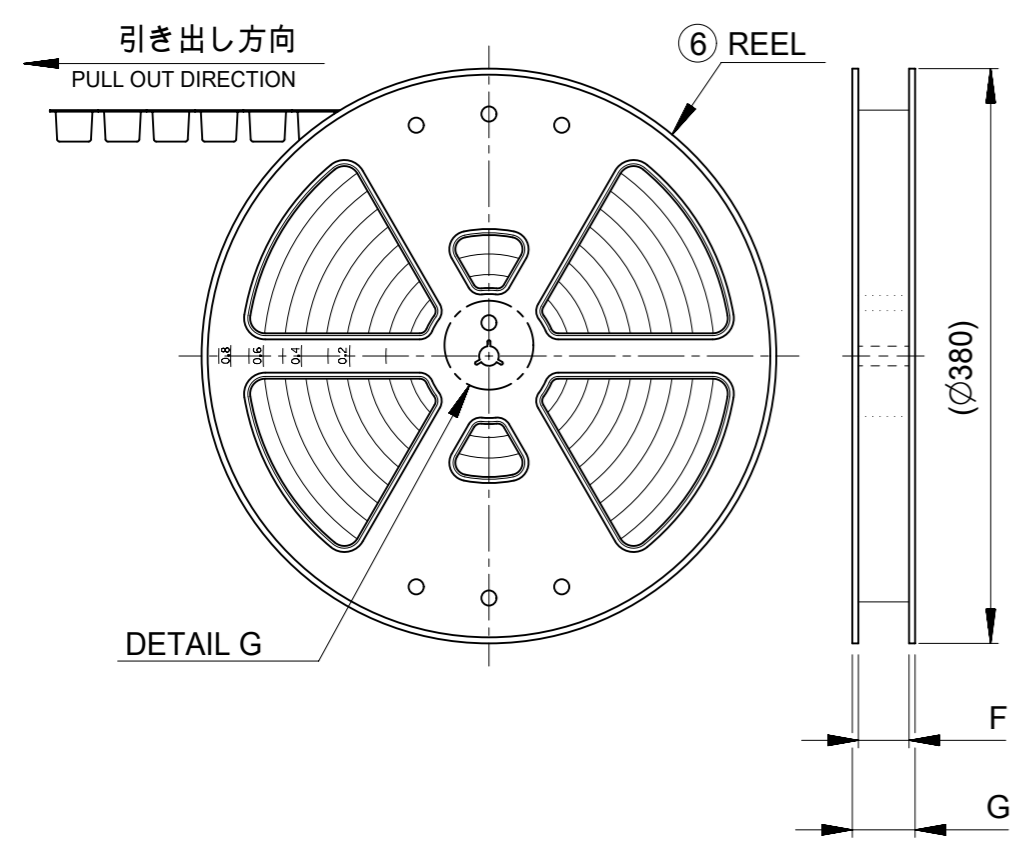
NOTE

- 5 . 梱包数量 : 1800個 / リール
NUMBER OF CONNECTORS : 1800 PIECES/REEL
- 6 . リードテープ長さ
LEAD TAPE LENGTH



- 7 . トップテープの剥離強度については、IEC60286-3に準拠。
TOP TAPE PEEL FORCE IS DEFINED BY IEC60286-3.
- 8 . 材料
MATERIALS

番号 NO.	部品 PART	材質 MATERIAL
④	エンボステープ EMBOSSED TAPE	ポリスチレン(PS) POLYSTYRENE(PS)
⑤	トップテープ TOP TAPE	ポリエチレン、ポリエチレンテレフタレート POLYETHYLENE(PE), POLYETHYLENE TEREPHTHALATE(PET)
⑥	リール REEL	ポリスチレン(PS) <リサイクル材を含む> POLYSTYRENE(PS) <RECYCLE MATERIAL CONTAINED>



37.4	33.4	14.2	32 ±0.3	2053380006	6
				2053380005	5
29.4	25.4	11.5	24 +0.3 -0.1	2053380004	4
				2053380003	3
				2053380002	2
G	F	E	D	EMBOSSED PACKAGE	CIRCUIT
WIDTH OF TAPE				ORDER NO.	

THIS DRAWING CONTAINS INFORMATION THAT IS PROPRIETARY TO MOLEX ELECTRONIC TECHNOLOGIES, LLC AND SHOULD NOT BE USED WITHOUT WRITTEN PERMISSION

DIMENSION UNITS	SCALE	CURRENT REV DESC:		molex	
mm	NTS				
GENERAL TOLERANCES (UNLESS SPECIFIED)		EC NO: 632449		PICO-LOCK 2.0 PLUG ASSY	
ANGULAR TOL	± 3.0 °	DRWN: QHE31	2019/01/25	SINGLE-ROW SMT R/A TYPE GOLD PLATING	
4 PLACES	± 0.2	CHK'D: SAKIYAMA	2020/02/19	PRODUCT CUSTOMER DRAWING	
3 PLACES	± 0.2	APPR: KOMURAKAMI	2020/02/19	DOCUMENT NUMBER	
2 PLACES	± 0.2	INITIAL REVISION:		2053380000-SD	
1 PLACE	± 0.2	DRWN: QHE31	2019/01/25	DOC TYPE	DOC PART
0 PLACES	± 0.2	APPR: KOMURAKAMI	2020/02/19	PSD	000
DRAFT WHERE APPLICABLE MUST REMAIN WITHIN DIMENSIONS		THIRD ANGLE PROJECTION	DRAWING	SERIES	MATERIAL NUMBER
			A3-SIZE	205338	CUSTOMER
					GENERAL
					SHEET NUMBER
					3 OF 4

△ 5 適用製品及び各種仕様書
 APPLICABLE PRODUCTS AND VARIOUS SPECIFICATIONS

梱包仕様書 PACKAGING SPECIFICATION	PART NUMBER 205338****	DOCUMENT NUMBER 2053389200-SPK PS 200
----------------------------------	---------------------------	--

適合嵌合相手 MATE WITH	HOUSING	CRIMP TERMINAL (GOLD PLATING)	
製品番号 PRODUCT NUMBER	205341****	#20 - #22 2053425028	#24 - #26 2053425128
製品仕様書 PRODUCT SPECIFICATION	2053410000-PS PS 000		
アプリケーション仕様書 APPLICATION SPECIFICATION	2053410000-AS PS 000		

THIS DRAWING CONTAINS INFORMATION THAT IS PROPRIETARY TO MOLEX ELECTRONIC TECHNOLOGIES, LLC AND SHOULD NOT BE USED WITHOUT WRITTEN PERMISSION										
DIMENSION UNITS	SCALE	CURRENT REV DESC:				molex				
mm	NTS					PICO-LOCK 2.0 PLUG ASSY SINGLE-ROW SMT R/A TYPE GOLD PLATING				
GENERAL TOLERANCES (UNLESS SPECIFIED)		EC NO: 632449				DOCUMENT NUMBER				
ANGULAR TOL ± 3.0 °		DRWN: QHE31 2019/01/25				2053380000-SD				
4 PLACES ± 0.2		CHK'D: SAKIYAMA 2020/02/19				DOC TYPE				
3 PLACES ± 0.2		APPR: KOMURAKAMI 2020/02/19				PSD				
2 PLACES ± 0.2		INITIAL REVISION:				DOC PART				
1 PLACE ± 0.2		DRWN: QHE31 2019/01/25				000				
0 PLACES ± 0.2		APPR: KOMURAKAMI 2020/02/19				REVISION				
DRAFT WHERE APPLICABLE MUST REMAIN WITHIN DIMENSIONS		THIRD ANGLE PROJECTION	DRAWING	SERIES	MATERIAL NUMBER	CUSTOMER	SHEET NUMBER			
			A3-SIZE	205338		GENERAL	4 OF 4			

DOCUMENT STATUS	P1	RELEASE DATE	2020/02/19	09:01:37
-----------------	----	--------------	------------	----------