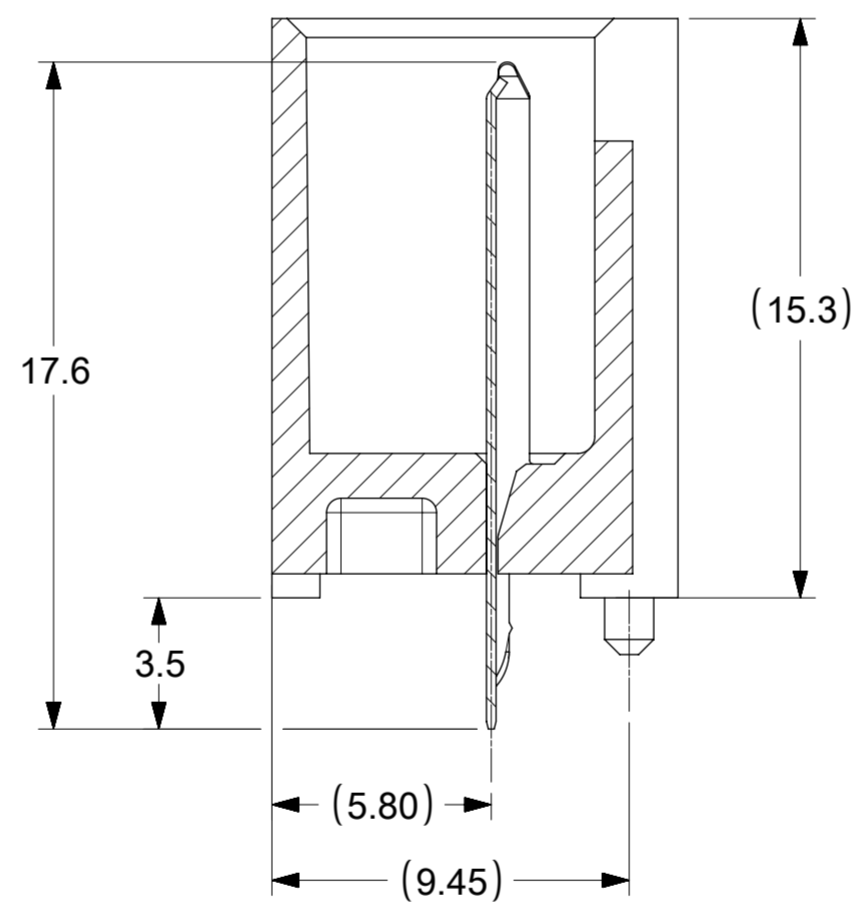
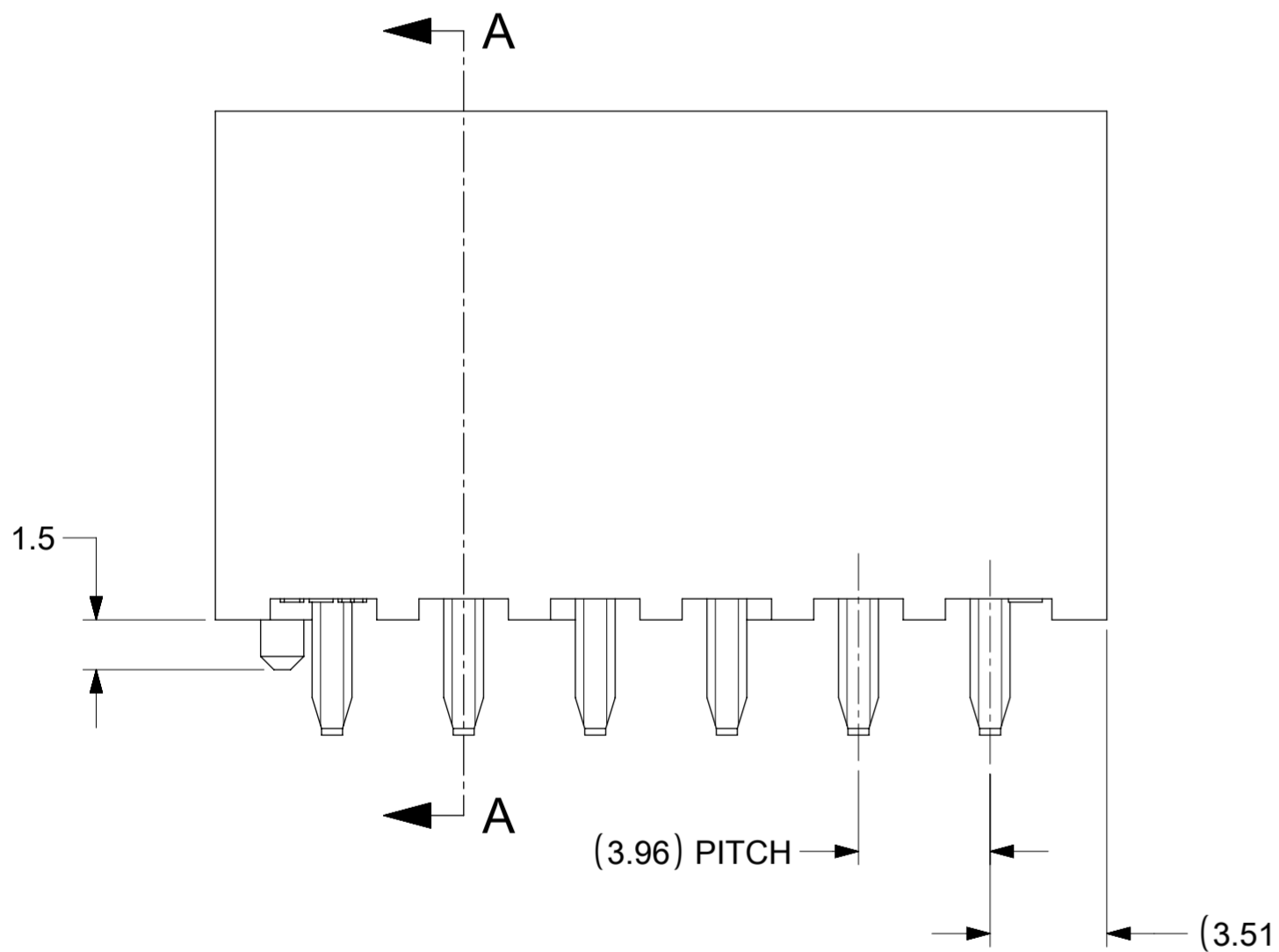
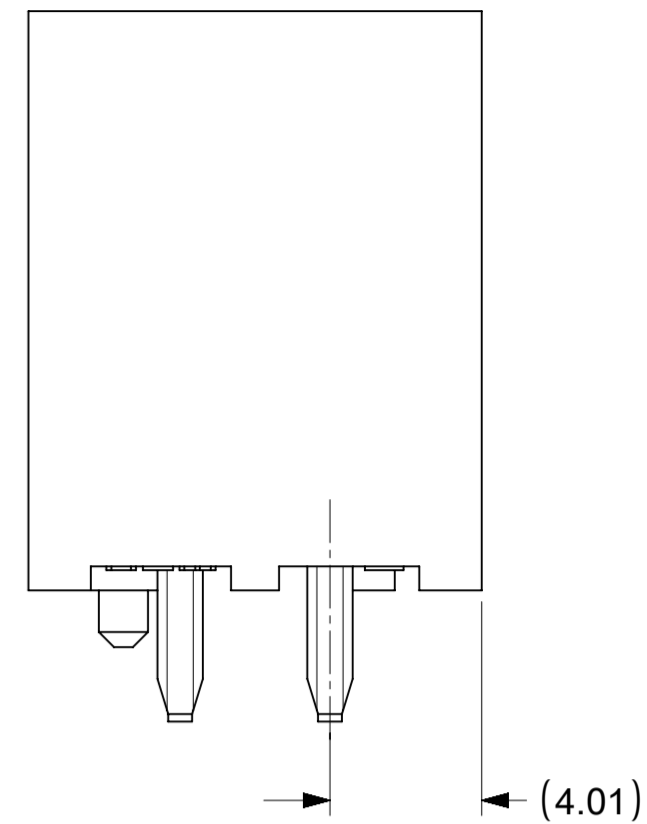
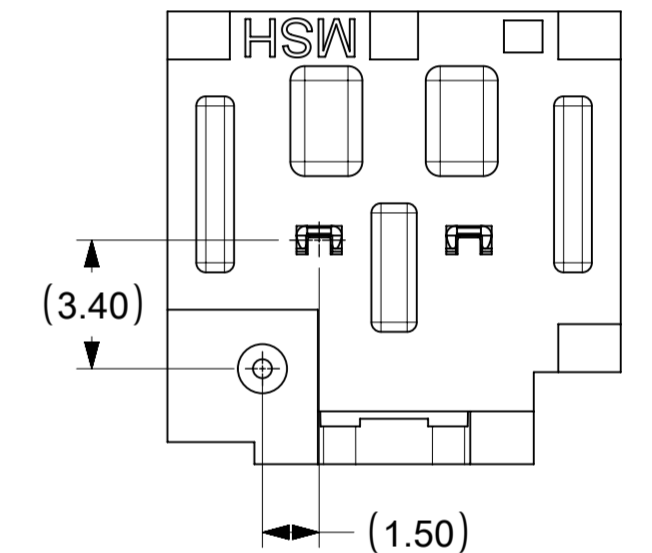


PCB FOR SHROUDED HEADER ASSEMBLY  
PCB LAYOUT VIEWED FROM THE SOLDERING SIDE  
(RECOMMENDED PCB THICKNESS : 1.60mm)

DISTINCTIVES FOR 2-CIRCUITS



SECTION A-A



(3.51)  
DISTINCTIVES  
FOR 2 CIRCUITS

CIRCUIT SIZE	HEADER ASSY P/N	DIM.A	DIM. B
02	2074790002	11.99	12.99
03	2074790003	14.95	15.95
04	2074790004	18.91	19.91
05	2074790005	22.88	23.88
06	2074790006	26.84	27.84

- NOTES:
- MATERIAL:
    - HOUSING: LIQUID CRYSTAL POLYMER. RATED UL94V-0, COLOR-BLACK
    - TERMINAL: BRASS ALLOY PLATING: TIN OVER COPPER OVERALL
  - PRODUCT SPECIFICATION: 2074580000-PS
  - PACKAGING SPECIFICATION: 2074790000-PK
  - COSMETIC SPECIFICATION: PS-45499-002 CLASS B

THIS DRAWING CONTAINS INFORMATION THAT IS PROPRIETARY TO MOLEX ELECTRONIC TECHNOLOGIES, LLC AND SHOULD NOT BE USED WITHOUT WRITTEN PERMISSION

DIMENSION UNITS	SCALE	CURRENT REV DESC:
mm	5:1	
GENERAL TOLERANCES (UNLESS SPECIFIED)		
ANGULAR TOL	± 0.5°	EC NO: 626323
4 PLACES	±	DRWN: SMAHAJANSHET 2019/08/07
3 PLACES	±	CHK'D: KPRASAD 2019/10/25
2 PLACES	± 0.2	APPR: KPRASAD 2019/10/25
1 PLACE	± 0.25	INITIAL REVISION:
0 PLACES	±	DRWN: GGUNAGI 2018/09/19
		APPR: NCSR 2019/02/05
DRAFT WHERE APPLICABLE MUST REMAIN WITHIN DIMENSIONS	THIRD ANGLE PROJECTION	DRAWING SERIES
		A2-SIZE 207479
DOCUMENT NUMBER	DOC TYPE	DOC PART
2074790000-SD	PSD	000
MATERIAL NUMBER	CUSTOMER	SHEET NUMBER
SEE TABLE	GENERAL MARKET	1 OF 2

**molex**

L1NK 396  
SHROUDED HEADER ASSEMBLY

PRODUCT CUSTOMER DRAWING

DOCUMENT NUMBER DOC TYPE DOC PART REVISION

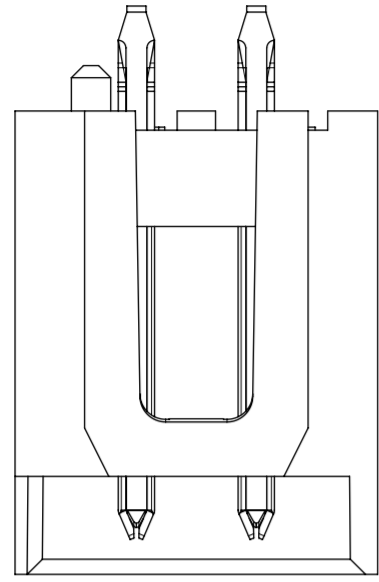
2074790000-SD PSD 000 C

MATERIAL NUMBER CUSTOMER SHEET NUMBER

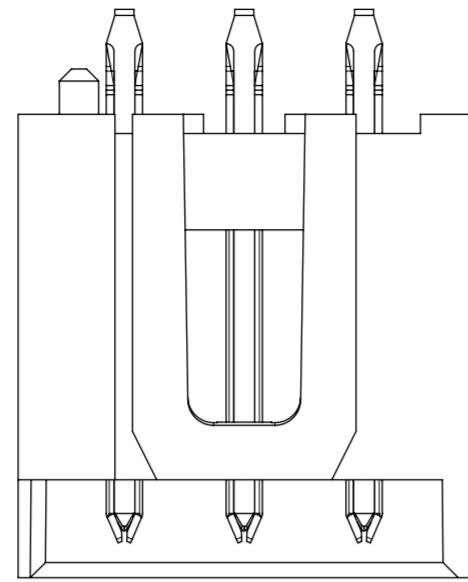
SEE TABLE GENERAL MARKET 1 OF 2

# POLARIZATION

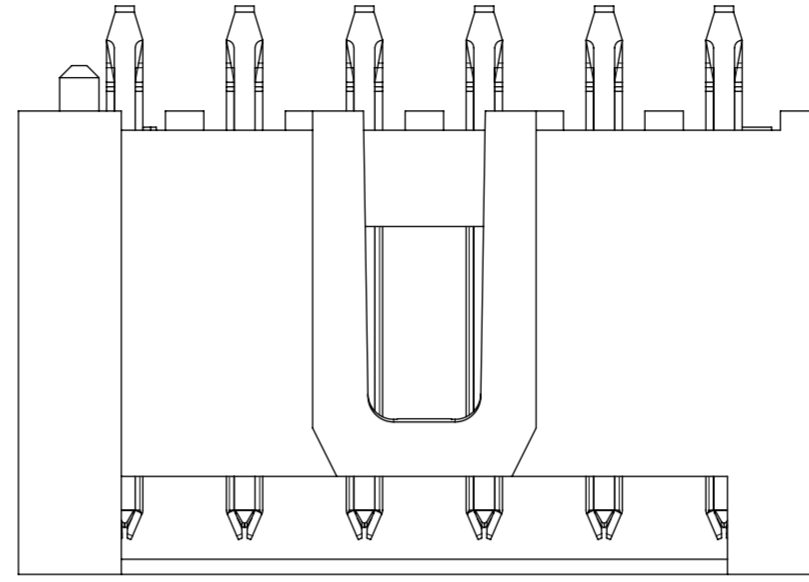
2 CKT



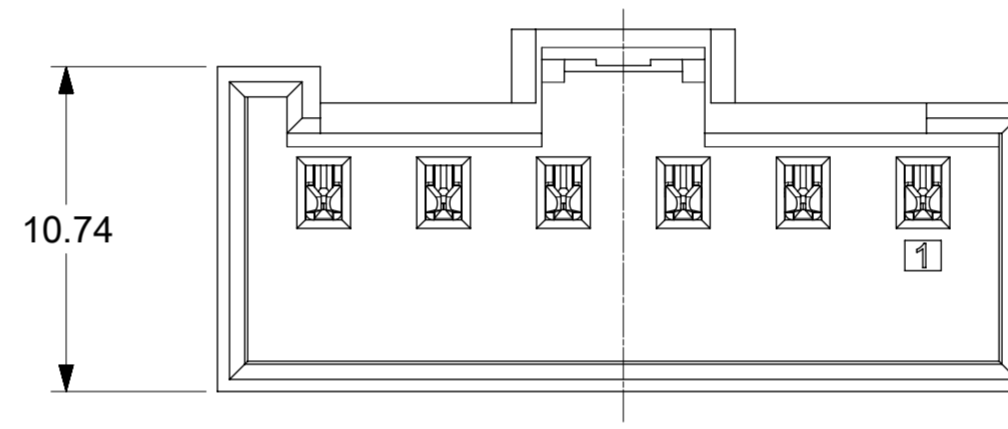
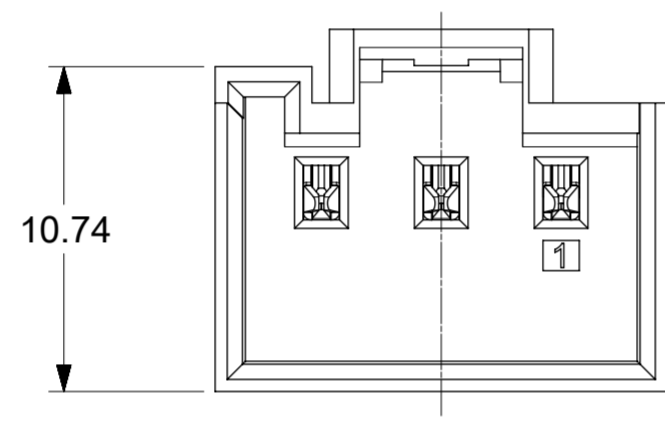
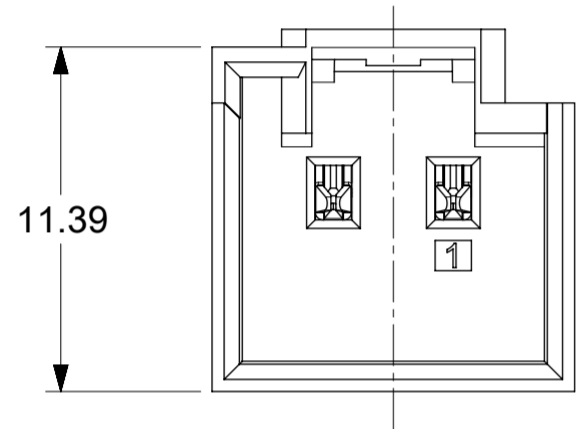
3 CKT



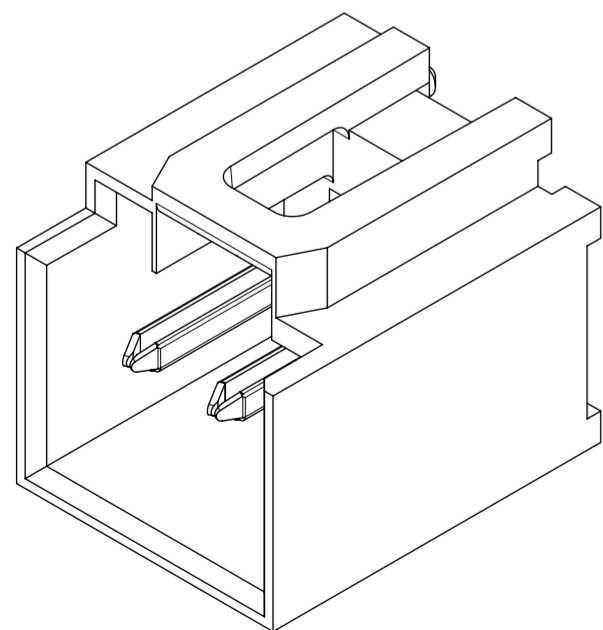
4 TO 6 CKT



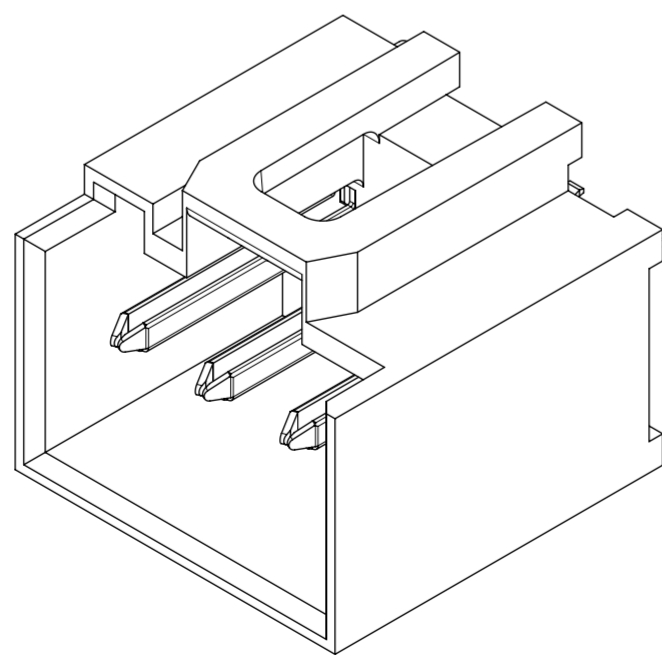
3.4



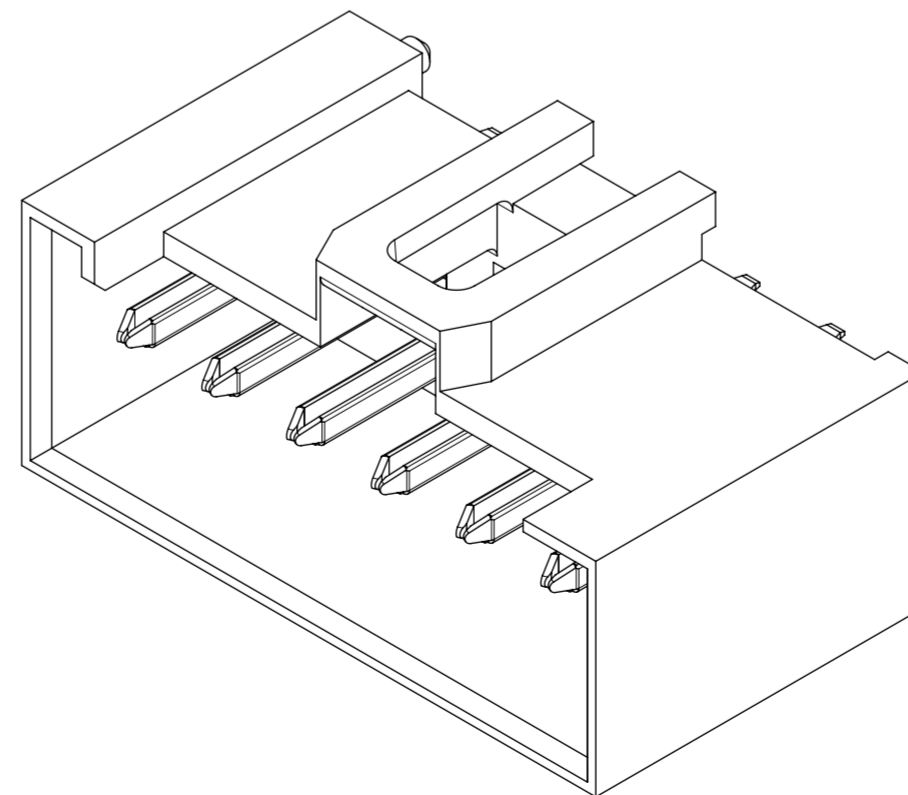
ISOMETRIC VIEW 2 CKT



ISOMETRIC VIEW 3 CKT



ISOMETRIC VIEW 6 CKT



THIS DRAWING CONTAINS INFORMATION THAT IS PROPRIETARY TO MOLEX ELECTRONIC TECHNOLOGIES, LLC AND SHOULD NOT BE USED WITHOUT WRITTEN PERMISSION

DIMENSION UNITS <b>mm</b>	SCALE <b>4:1</b>	CURRENT REV DESC:		<b>molex</b>				
GENERAL TOLERANCES (UNLESS SPECIFIED)		EC NO: 626323					L1NK 396 SHROUDED HEADER ASSEMBLY	
ANGULAR TOL	± 0.5°	DRWN:	SMAHAJANSHET	2019/08/07	PRODUCT CUSTOMER DRAWING			
4 PLACES	±	CHK'D:	KPRASAD	2019/10/25				DOCUMENT NUMBER <b>2074790000-SD</b>
3 PLACES	±	APPR:	KPRASAD	2019/10/25	DOC TYPE	DOC PART	REVISION	
2 PLACES	± 0.2	INITIAL REVISION:		MATERIAL NUMBER SEE TABLE			CUSTOMER GENERAL MARKET	
1 PLACE	± 0.25	DRWN:	GGUNAGI					
0 PLACES	±	APPR:	NCSR	2019/02/05	SHEET NUMBER 2 OF 2			
DRAFT WHERE APPLICABLE MUST REMAIN WITHIN DIMENSIONS		THIRD ANGLE PROJECTION		DRAWING				
				<b>A2-SIZE</b>	<b>207479</b>			