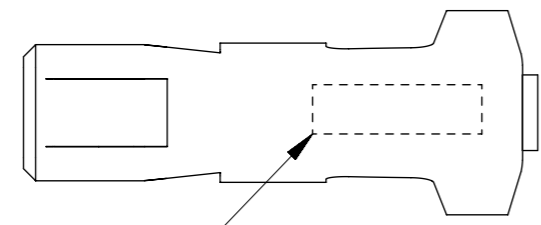
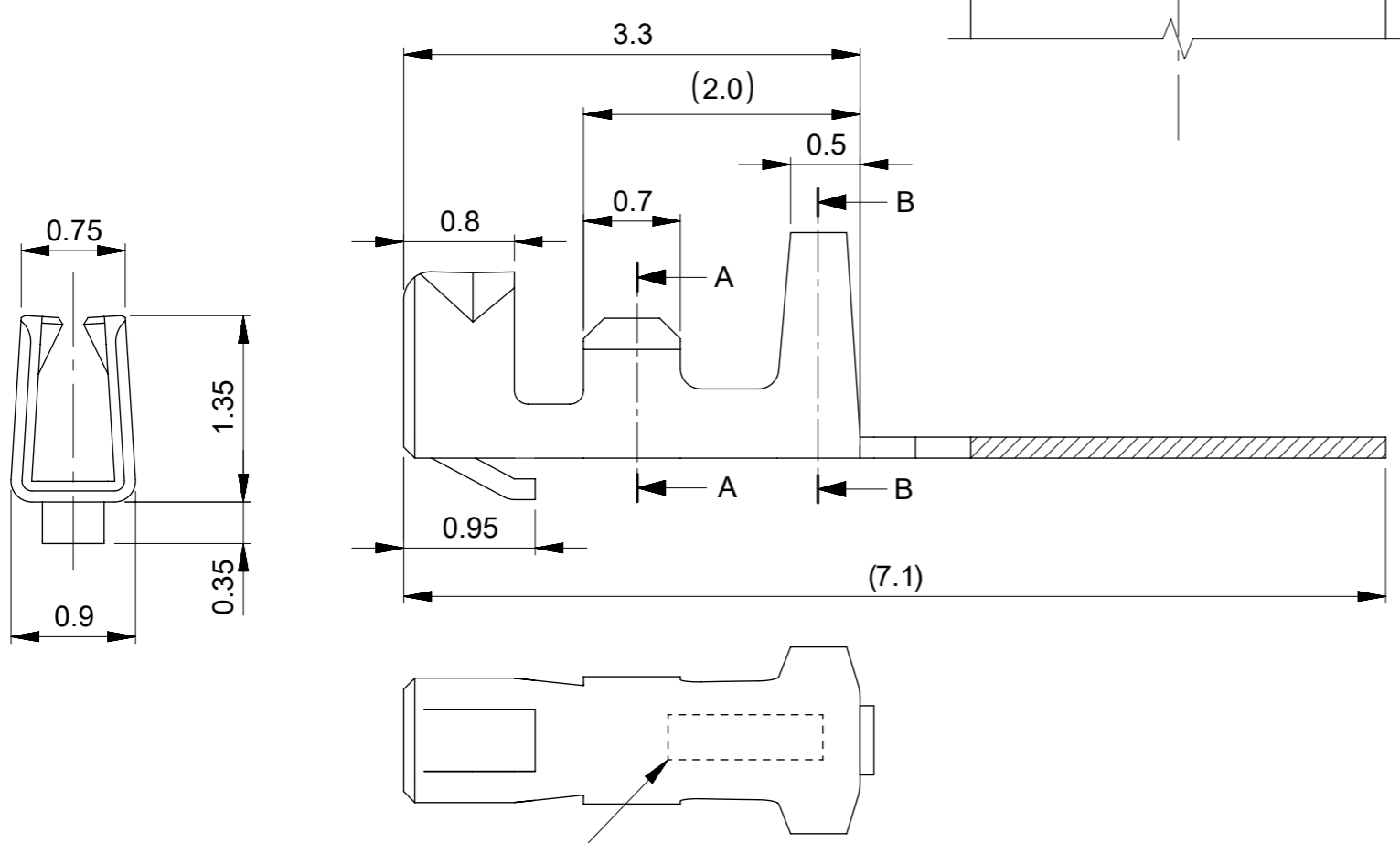


- NOTE**
- 適合ハウジング : 51021シリーズ
APPLICABLE HOUSING: 51021 SERIES
 - めっき仕様 : TABLE1参照
PLATING: SEE TABLE1
 - 梱包仕様書 : 500589200SPK PS 200
PACKING SPECIFICATION: 500589200SPK PS 200

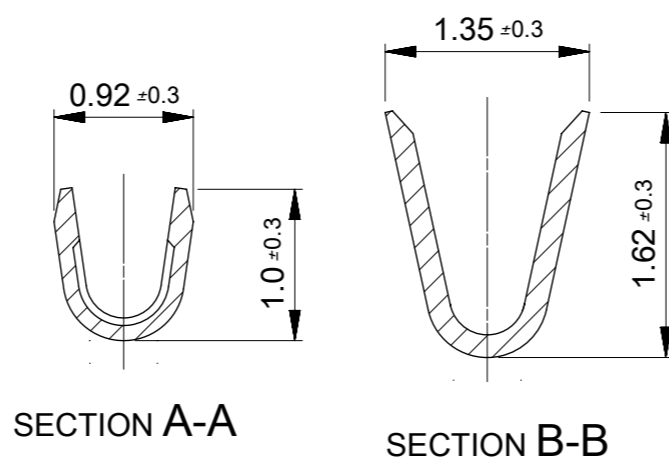
		SMT	THROUGH HOLE
適合嵌合相手 MATE WITH	めっき PLATING	GOLD 0.38μm	GOLD 0.38μm
	嵌合形態 MATING CONFIGURATION	RIGHT ANGLE	RIGHT ANGLE
	製品番号 PRODUCT NO.	53261-70**	53048-**50
参照嵌合図 REFERENCE DRAWING OF MATING VIEW	532610000-SD PSD 000	530480000-SD PSD 000	
製品仕様書 PRODUCT SPECIFICATION	510210001-PS PS 000	510210000-PS PS 000	
取扱い説明書 APPLICATION SPECIFICATION	510210000-AS PS 000		



トレードマーク
TRADE MARK

2 TABLE1

部品 PART	材質 MATERIAL	
ターミナル TERMINAL	りん青銅 PHOSPHOER BRONZE	
	コンタクト部 CONTACT AREA	金めっき 0.38μm MIN. GOLD PLATING 0.38μm MIN.
	下地めっき UNDER PLATING	ニッケルめっき 1.0μm MIN. NICKEL PLATING 1.0μm MIN.
DOCUMENT STATUS	P1	RELEASE DATE 2019/02/01 04:45:11



Φ1.0 MAX.	AWG#28-32	連鎖状 CHAIN	50058-8025
被覆外径 INS. TANGE	適用電線範囲 WIRE RANGE	端子形状 FORM	オーダー番号 ORDER NO.

THIS DRAWING CONTAINS INFORMATION THAT IS PROPRIETARY TO MOLEX ELECTRONIC TECHNOLOGIES, LLC AND SHOULD NOT BE USED WITHOUT WRITTEN PERMISSION

DIMENSION UNITS	SCALE	CURRENT REV DESC:		molex			
mm	20:1						
GENERAL TOLERANCES (UNLESS SPECIFIED)				PICOBALDE 1.25 RECEPTACLE CRIMP TERMINAL 0.38 GOLD PLATING			
ANGULAR TOL	± 3.0°	EC NO: 611272		PRODUCT CUSTOMER DRAWING			
4 PLACES	± 0.2	DRWN: SOBARA01 2017/11/27		DOCUMENT NUMBER			
3 PLACES	± 0.2	CHK'D: AIDA 2019/02/01		500580000-SD			
2 PLACES	± 0.2	APPR: SAKIYAMA 2019/02/01		DOC TYPE DOC PART REVISION			
1 PLACE	± 0.2	INITIAL REVISION:		PSD 000 A			
0 PLACES	± 0.2	DRWN: SOBARA01 2017/11/27		MATERIAL NUMBER			
DRAFT WHERE APPLICABLE MUST REMAIN WITHIN DIMENSIONS		APPR: SAKIYAMA 2019/02/01		CUSTOMER			
THIRD ANGLE PROJECTION		DRAWING		SERIES		SHEET NUMBER	
A3-SIZE		50058		SEE CHART		GENERAL 1 OF 1	