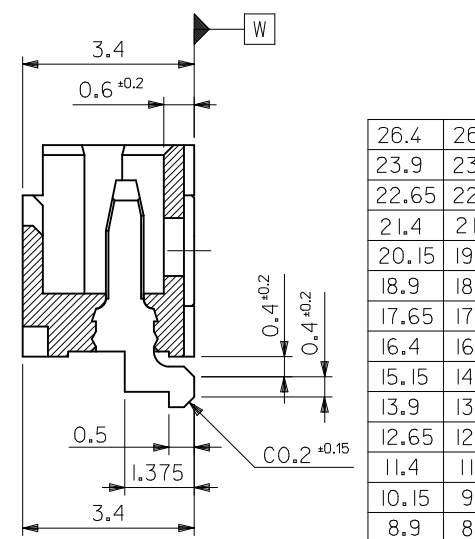


参考基板レイアウト  
RECOMMENDED P.C.BOARD PATTERN DIM.(REF.)  
(SCALE 5:1)



53261-\*\*-19  
MODEL NO.

注記 NOTES

- 嵌合相手: 51021 シリーズ  
MATES WITH: 51021 SERIES
- 材質 MATERIAL  
ウエハー: NYLON46, UL94V-0  
ピン: リン青銅  
: PHOS-BRO  
: 銅メッキ 1.0 マイクロメートル以上  
: TIN 1.0 MICROMETER MINIMUM  
: ニッケル下地 1.0 マイクロメートル以上  
: NICKEL (UNDER PLATING) 1.0 MICROMETER MINIMUM  
金具  
FITTING NAIL: リン青銅  
: PHOS-BRO  
: 銅メッキ 1.0 マイクロメートル以上  
: TIN 1.0 MICROMETER MINIMUM  
: ニッケル下地 1.0 マイクロメートル以上  
: NICKEL (UNDER PLATING) 1.0 MICROMETER MINIMUM
- ロック窓は2、3極は1箇所、4極以上は2箇所とする。  
LOCKING WINDOW: ONE PLACE FOR 2 AND 3 CKT. AND TWO PLACES FOR MORE THAN 3 CKT.
- ソリダータール部のスレ量及び金具(補強板)のスレ量は基準面 W に対し、上方向 0.05MAX.、下方向に 0.1 MAX.とする。  
OFFSET BETWEEN BASIS PLANE W TO SOLDER TAIL BOTTOM AND FITTING NAIL BOTTOM:  
UPPER SIDE: 0.05MAX.  
LOWER SIDE: 0.1MAX.
- 本製品は 53261-\*\*-10 の鉛フリー品である。  
THIS PRODUCT IS LEAD FREE OF 53261-\*\*-10
- ELV及びRoHS適合品  
ELV AND RoHS COMPLIANT.
- ソルダータール及び金具の平坦度は0.1以下。  
SOLDER TAIL & FITTING NAIL COPLANARITY TO BE 0.1 MAX.

26.4	26	23	21.8	20	53261-1771	53261-1719	17
23.9	23.5	20.5	19.3	17.5	-1571	-1519	15
22.65	22.25	19.25	18.05	16.25	-1471	-1419	14
21.4	21	18	16.8	15	-1371	-1319	13
20.15	19.75	16.75	15.55	13.75	-1271	-1219	12
18.9	18.5	15.5	14.3	12.5	-1171	-1119	11
17.65	17.25	14.25	13.05	11.25	-1071	-1019	10
16.4	16	13	11.8	10	-0971	-0919	9
15.15	14.75	11.75	10.55	8.75	-0871	-0819	8
13.9	13.5	10.5	9.3	7.5	-0771	-0719	7
12.65	12.25	9.25	8.05	6.25	-0671	-0619	6
11.4	11	8	6.8	5	-0571	-0519	5
10.15	9.75	6.75	5.55	3.75	-0471	-0419	4
8.9	8.5	5.5	4.3	2.5	-0371	-0319	3
7.65	7.25	4.25	3.05	1.25	53261-0271	53261-0219	2

REVISED EC NO: J2016-1122 DRWN: QHEJ1 CHKD: SAKIYAMA APPR: IKANEKO 2016/04/26 2016/05/06 2016/05/06	GENERAL TOLERANCES (UNLESS SPECIFIED)		DIMENSION STYLE		SCALE	DESIGN UNITS		THIRD ANGLE PROJECTION		
	0.25 UNDER	UNDER	±0.03	MM ONLY		10:1	METRIC		◎ □	
	0.25 OVER	0.5 UNDER	±0.05	DRAWN BY	DATE	TITLE				
	0.5 OVER	1.0 UNDER	±0.1	HS HIMABU	04/02/06	1.25 WIRE TO BOARD WAFER ASS FOR SMT				
1.0 OVER	10 UNDER	±0.2	CHECKED BY	DATE						
10 OVER	30 UNDER	±0.25	KTOJO	04/02/06						
30 OVER		±0.3	APPROVED BY	DATE	MATERIAL NO.		DOCUMENT NO.		SHEET NO.	
ANGULAR	±3 °		MSASAO	04/02/06	SEE CHART		SD-53261-024		1 OF 1	
DRAFT WHERE APPLICABLE MUST REMAIN WITHIN DIMENSIONS			SIZE	THIS DRAWING CONTAINS INFORMATION THAT IS PROPRIETARY TO MOLEX ELECTRONIC TECHNOLOGIES, LLC AND SHOULD NOT BE USED WITHOUT WRITTEN PERMISSION						
			A3							

10 9 8 7 6 5 4 3 2 1

F

F

E

E

D

D

C

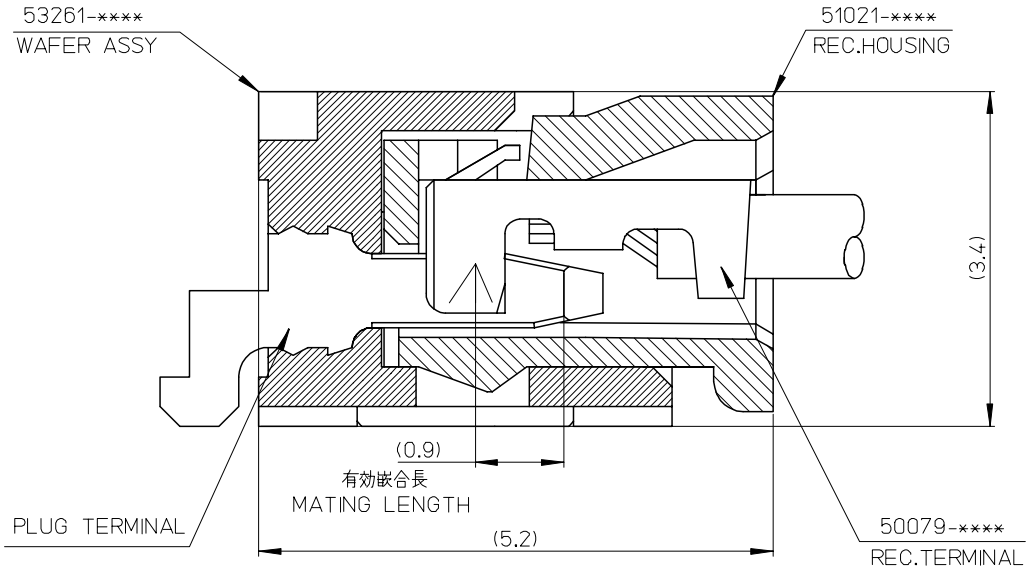
C

B

B

A

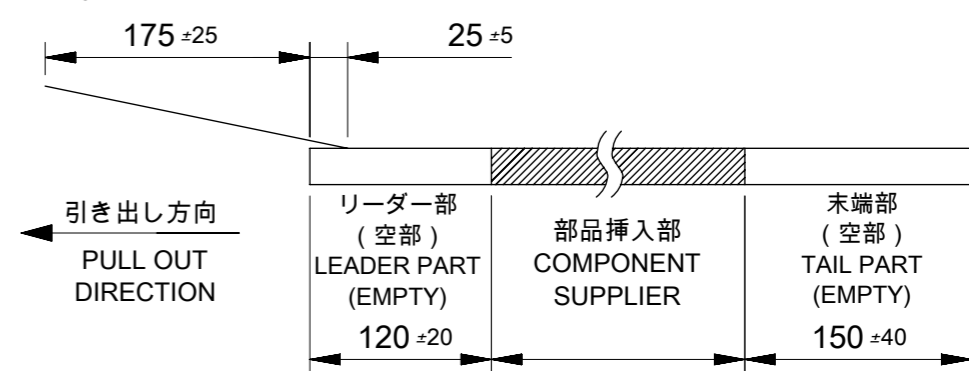
A

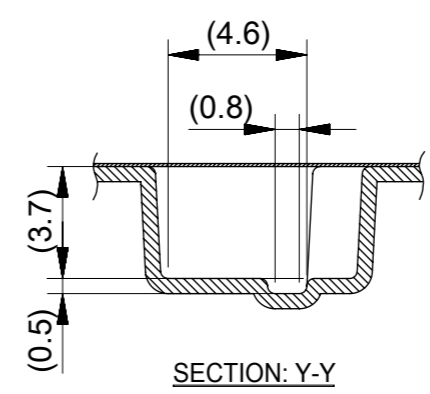
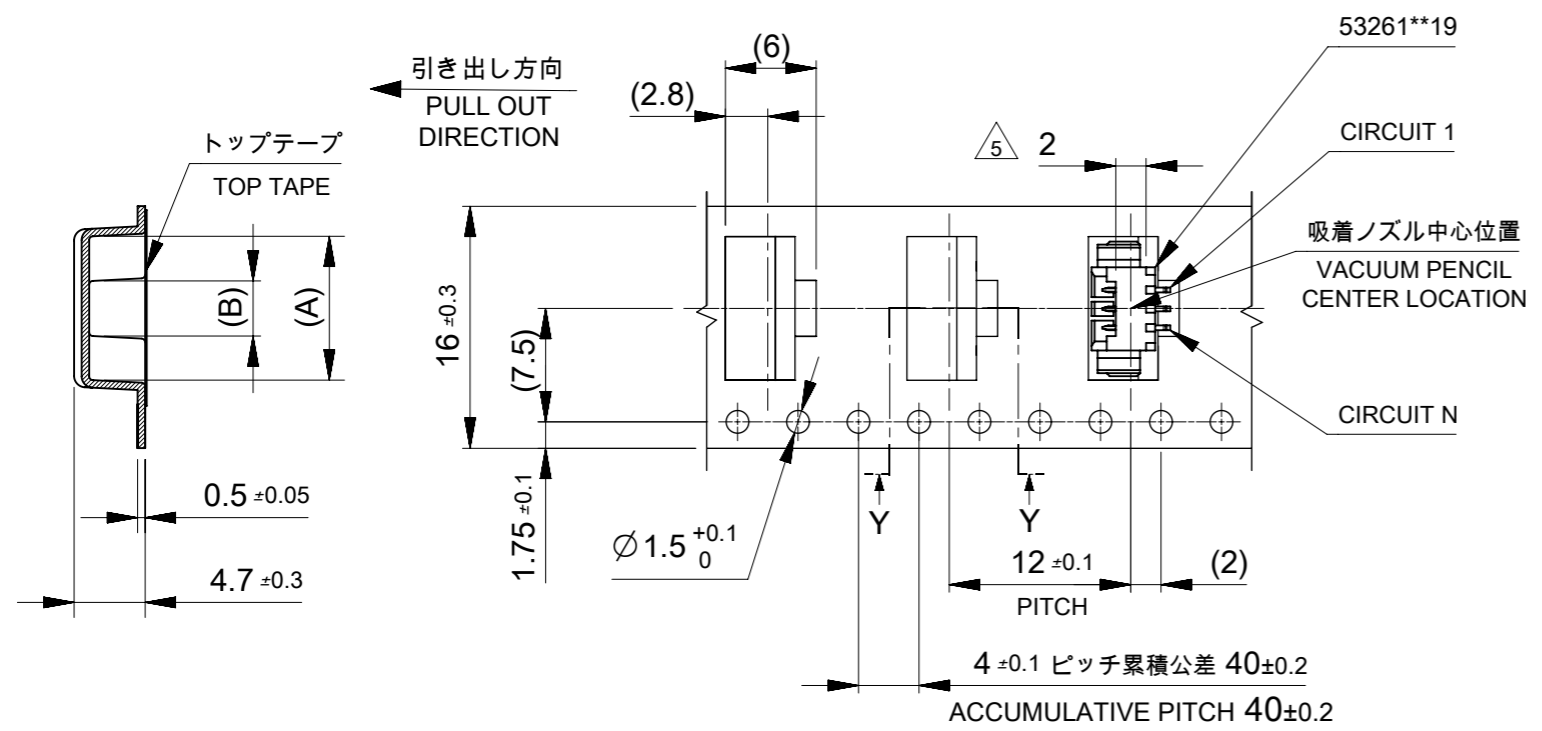
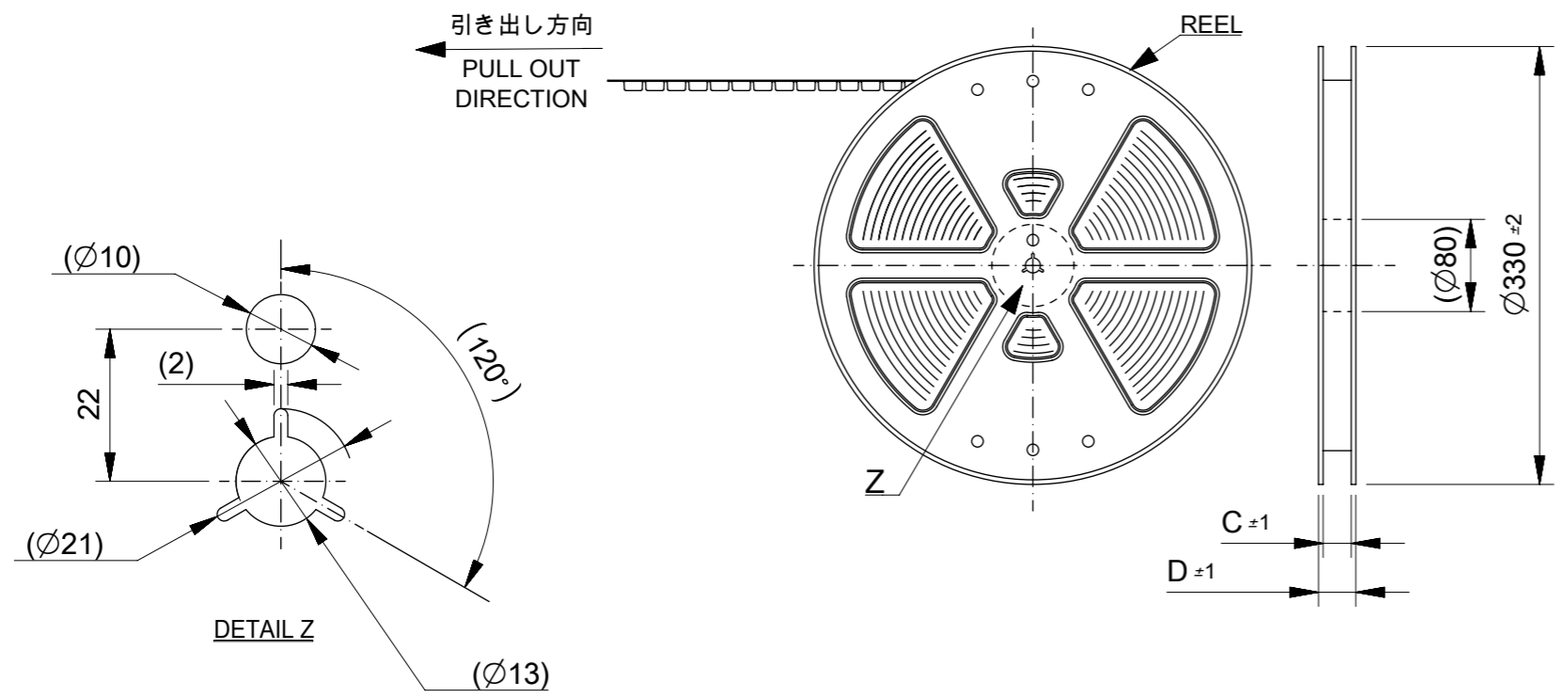


53261-****	WAFER ASSY	MODEL NO./MATERIAL NO.
50079-****	TERMINAL	
51021-****	HOUSING	

RELEASED EC NO: J2006-2426 DRWN: A0YAGI 2006/02/02 CHKD: YMAEDA 2006/02/03 APPR: NUKITA 2006/02/07	GENERAL TOLERANCES (UNLESS SPECIFIED)		DIMENSION STYLE MM ONLY		SCALE ---	DESIGN UNITS METRIC	THIRD ANGLE PROJECTION		
	10 UNDER	± ---	DRAWN BY Y. A0YAGI	DATE 2006/01/30	TITLE 1.25 W-TO-B CONN. 51021,53261 MATING CROSS SECTION				
	10 OVER 30 UNDER	± ---	CHECKED BY Y. MAEDA	DATE 2006/01/30	MOLEX INCORPORATED				
	30 OVER	± ---	APPROVED BY N. UKITA	DATE 2006/01/30	MATERIAL NO. SEE CHART		DOCUMENT NO. SD-51021-002	SHEET NO. 1 OF 1	
	ANGULAR	± --- °	DRAFT WHERE APPLICABLE MUST REMAIN WITHIN DIMENSIONS						

注釈 NOTE

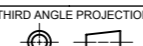
- コネクタ53261\*\*19の詳細寸法については図面SD-53261-024をご参照ください。  
REFER TO DRAWING SD-53261-024 FOR DETAIL DIMENSIONS OF CONNECTOR 53261\*\*19.
- 梱包数量: 1000個/リール  
NUMBER OF CONNECTOR: 1000PCS/REEL
- リードテープ長さ LEAD TAPE LENGTH  
 トップテープリーダ部 TOP TAPE LEADER PART      トップテープ未装着部 TOP TAPE NON-BONDED PART  
 $175 \pm 25$        $25 \pm 5$   
  
 引き出し方向 PULL OUT DIRECTION  
 リーダ部 (空部) LEADER PART (EMPTY)      部品挿入部 COMPONENT SUPPLIER      末端部 (空部) TAIL PART (EMPTY)  
 $120 \pm 20$        $150 \pm 40$
- 材料 (MATERIAL)  
 キャリアテープ (CARRIER TAPE): ポリプロピレン (POLYPROPYLENE)  
 トップテープ (TOP TAPE): PET, PE, PEF  
 リール (REEL): ポリスチレン (PS) <リサイクル材含む> POLYSTYREN (PS) <RECYCLE MATERIAL CONTAINED>
- コネクタハウジング平面部 CONNECTOR HOUSING FLAT AREA.
- 本製品は乾燥剤入りハイバリア梱包仕様である。  
THIS PRODUCT IS HIGH BARRIER PACKAGE WITH DESICCANT.



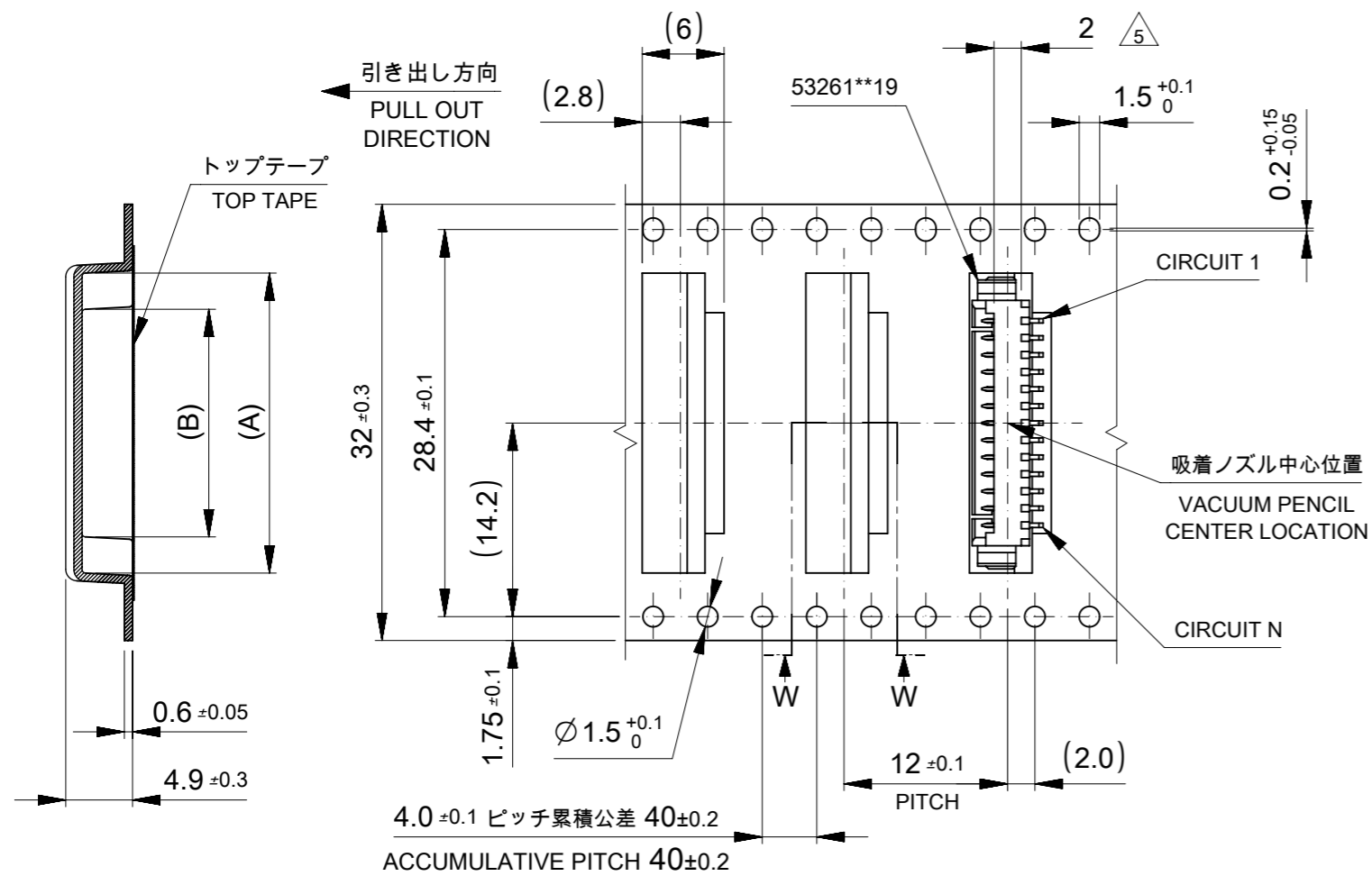
PRE-RELEASE  
REFERENCE  
USE ONLY

16mm幅キャリアテープ  
16mm WIDTH CARRIER TAPE

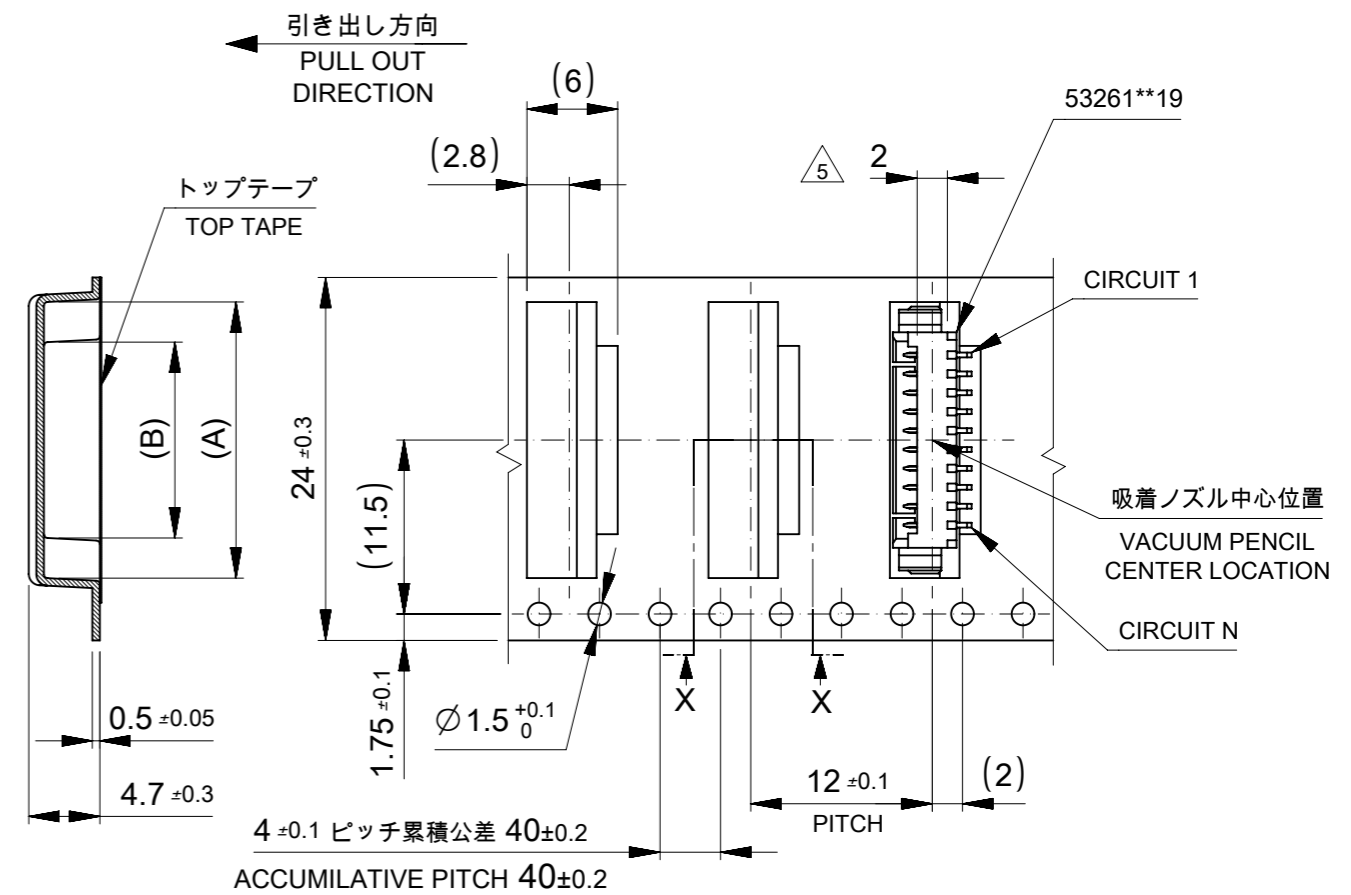
16	21.4	17.4	3.7	9.5	532610371	3				
			2.45	8.25	532610271	2				
キャリアテープ幅 CARRIER TAPE WIDTH					D	C	B	A	EMBOSSED TAPE PACKAGE	極数
					オーダー番号 ORDER NO.				CIRCUIT	

THIS DRAWING CONTAINS INFORMATION THAT IS PROPRIETARY TO MOLEX ELECTRONIC TECHNOLOGIES, LLC AND SHOULD NOT BE USED WITHOUT WRITTEN PERMISSION																													
DIMENSION UNITS		SCALE		CURRENT REV DESC:																									
mm		NTS																											
GENERAL TOLERANCES (UNLESS SPECIFIED)																													
ANGULAR TOL		± 3.0 °		EC NO: 626512																									
4 PLACES		± 0.2		DRWN: SOBARA01 2019/10/29																									
3 PLACES		± 0.2		CHK'D: KOMURAKAMI 2019/10/30																									
2 PLACES		± 0.2		APPR: AIDA 2019/10/30																									
1 PLACE		± 0.2		INITIAL REVISION:																									
0 PLACES		± 0.2		DRWN: HSHIMABUKURO 2004/02/20																									
				APPR: MSASAO 2004/02/20																									
DRAFT WHERE APPLICABLE MUST REMAIN WITHIN DIMENSIONS				THIRD ANGLE PROJECTION		DRAWING		SERIES																					
						A3-SIZE		53261																					
				MATERIAL NUMBER		CUSTOMER		SHEET NUMBER																					
				SEE CHART		GENERAL MARKET		1 OF 4																					
<table border="1"> <tr> <td colspan="4">DOCUMENT NUMBER</td> <td colspan="2">DOC TYPE</td> <td colspan="2">DOC PART</td> <td colspan="2">REVISION</td> </tr> <tr> <td colspan="4">SD-53261-023</td> <td colspan="2">PSD</td> <td colspan="2">001</td> <td colspan="2">F</td> </tr> </table>										DOCUMENT NUMBER				DOC TYPE		DOC PART		REVISION		SD-53261-023				PSD		001		F	
DOCUMENT NUMBER				DOC TYPE		DOC PART		REVISION																					
SD-53261-023				PSD		001		F																					

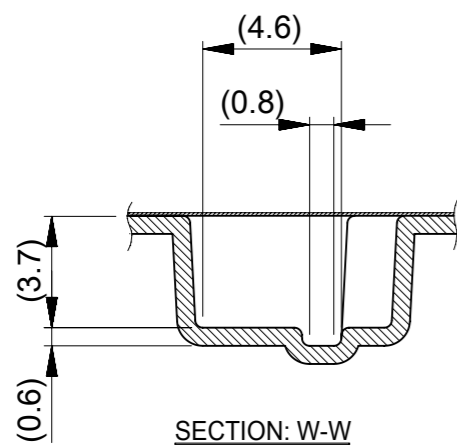
DOCUMENT STATUS	RELEASE DATE
-----------------	--------------



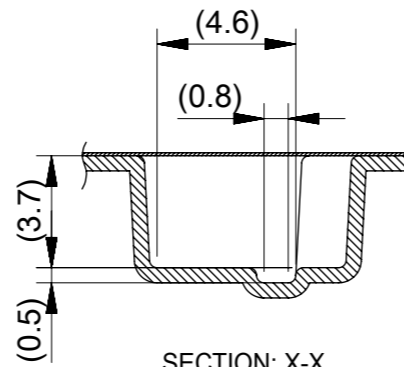
32mm幅キャリアテープ  
32mm WIDTH CARRIER TAPE



24mm幅キャリアテープ  
24mm WIDTH CARRIER TAPE



SECTION: W-W



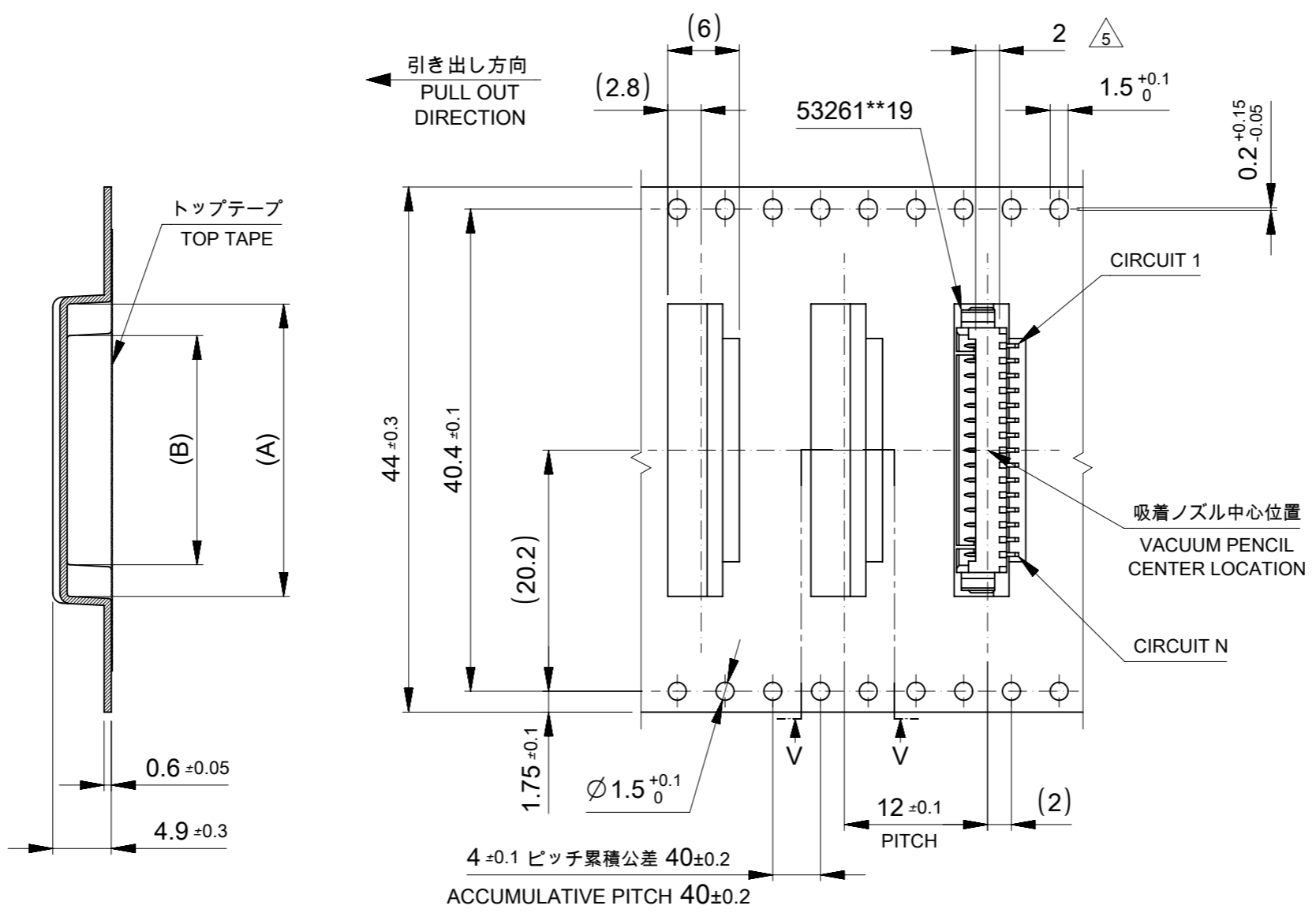
SECTION: X-X

PRE-RELEASE  
REFERENCE  
USE ONLY

32	37.4	33.4	16.2	22	532611371	13	
			14.95	20.75	532611271	12	
			13.7	19.5	532611171	11	
24	29.4	25.4	12.45	18.25	532611071	10	
			11.2	17	532610971	9	
			9.95	15.75	532610871	8	
			8.7	14.5	532610771	7	
			7.45	13.25	532610671	6	
			6.2	12	532610571	5	
			4.95	10.75	532610471	4	
キャリアテープ幅 CARRIER TAPE WIDTH		D	C	B	A	EMBOSSED TAPE PACKAGE オーダー番号 ORDER NO.	極数 CIRCUIT

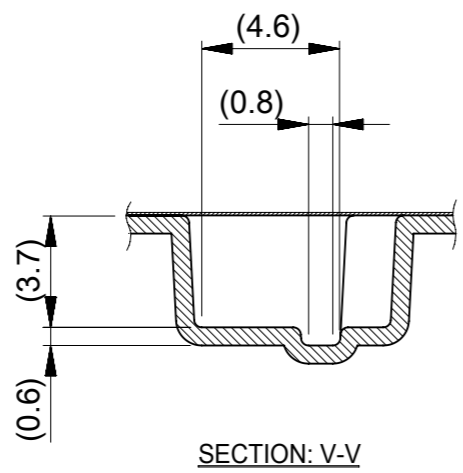
THIS DRAWING CONTAINS INFORMATION THAT IS PROPRIETARY TO MOLEX ELECTRONIC TECHNOLOGIES, LLC AND SHOULD NOT BE USED WITHOUT WRITTEN PERMISSION		CURRENT REV DESC:		<b>molex</b>				
DIMENSION UNITS	SCALE	EC NO: 626512						PICOBLADE 1.25 W/B CONN. SMT R/A EMBOSSED TAPE PACKAGE
mm	NTS	DRWN: SOBARA01 2019/10/29		PRODUCT CUSTOMER DRAWING				
GENERAL TOLERANCES (UNLESS SPECIFIED)		CHK'D: KOMURAKAMI 2019/10/30		DOCUMENT NUMBER		DOC TYPE	DOC PART	REVISION
ANGULAR TOL ± 3.0°		APPR: AIDA 2019/10/30		SD-53261-023		PSD	001	F
4 PLACES ± 0.2		INITIAL REVISION:		MATERIAL NUMBER		CUSTOMER		SHEET NUMBER
3 PLACES ± 0.2		DRWN: HSHIMABUKURO 2004/02/20		SEE CHART		GENERAL MARKET		2 OF 4
2 PLACES ± 0.2		APPR: MSASAO 2004/02/20		SERIES		DRAWING		
1 PLACE ± 0.2		THIRD ANGLE PROJECTION		A3-SIZE		53261		
0 PLACES ± 0.2		DRAFT WHERE APPLICABLE MUST REMAIN WITHIN DIMENSIONS						

DOCUMENT STATUS	RELEASE DATE
-----------------	--------------



4 ± 0.1 ピッチ累積公差 40 ± 0.2  
ACCUMULATIVE PITCH 40 ± 0.2

44mm幅キャリアテープ  
44mm WIDTH CARRIER TAPE



PRE-RELEASE  
REFERENCE  
USE ONLY

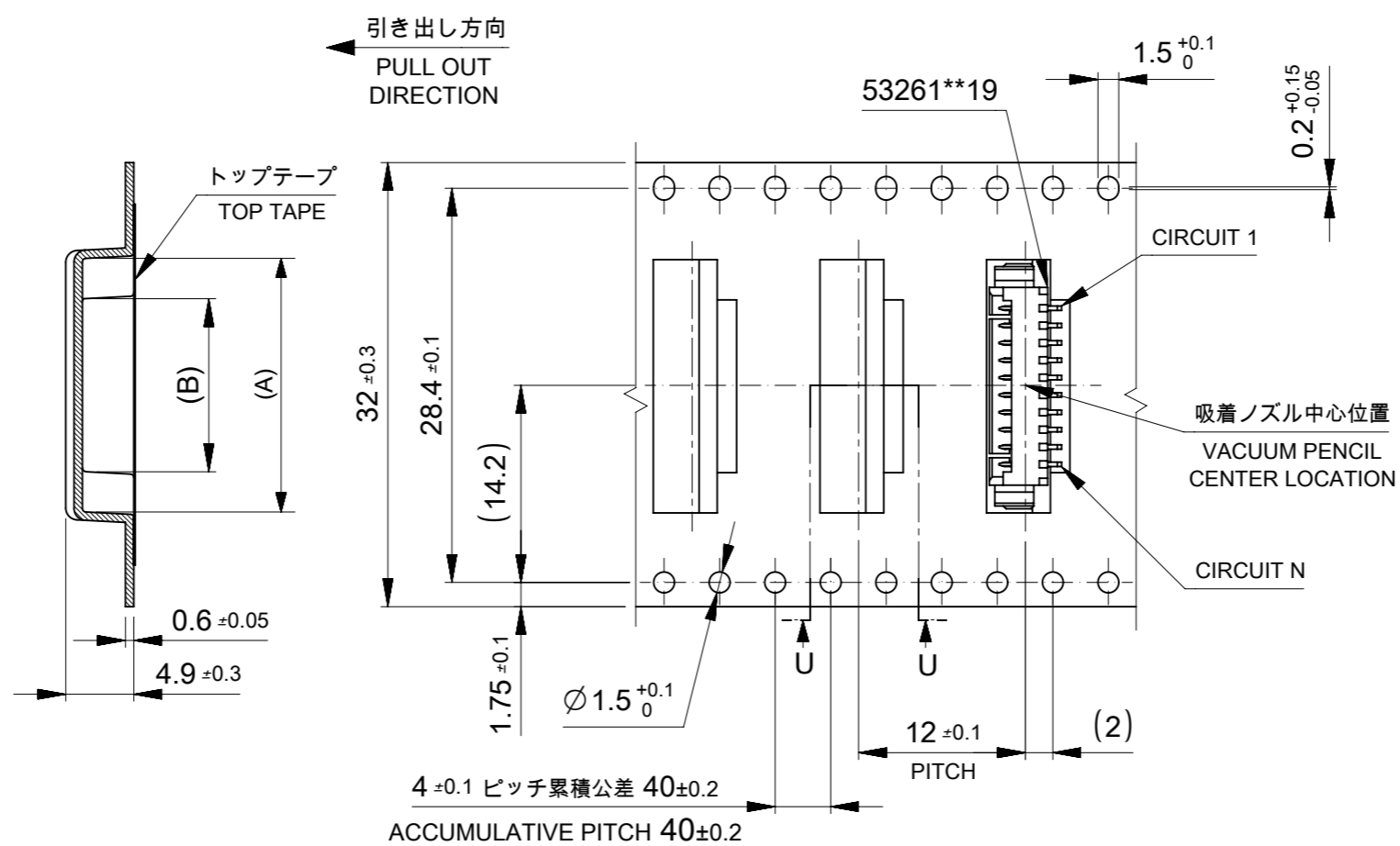
44	49.4	45.4	21.2	27	532611771	17	
			18.7	24.5	532611571	15	
			17.45	23.25	532611471	14	
キャリアテープ幅 CARRIER TAPE WIDTH		D	C	B	A	EMBOSSED TAPE PACKAGE	極数 CIRCUIT
オーダー番号 ORDER NO.						CIRCUIT	

THIS DRAWING CONTAINS INFORMATION THAT IS PROPRIETARY TO MOLEX ELECTRONIC TECHNOLOGIES, LLC AND SHOULD NOT BE USED WITHOUT WRITTEN PERMISSION

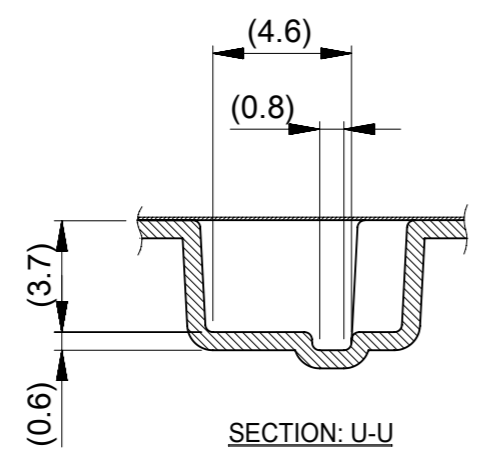
DIMENSION UNITS	SCALE	CURRENT REV DESC:		<b>molex</b>		
mm	NTS					
GENERAL TOLERANCES (UNLESS SPECIFIED)				PICOBLADE 1.25 W/B CONN. SMT R/A EMBOSSED TAPE PACKAGE		
ANGULAR TOL	± 3.0 °	EC NO: 626512		PRODUCT CUSTOMER DRAWING		
4 PLACES	± 0.2	DRWN: SOBARA01 2019/10/29		DOCUMENT NUMBER		
3 PLACES	± 0.2	CHK'D: KOMURAKAMI 2019/10/30		SD-53261-023		
2 PLACES	± 0.2	APPR: AIDA 2019/10/30		DOC TYPE		
1 PLACE	± 0.2	INITIAL REVISION:		PSD		
0 PLACES	± 0.2	DRWN: HSHIMABUKURO 2004/02/20		DOC PART		
DRAFT WHERE APPLICABLE MUST REMAIN WITHIN DIMENSIONS		APPR: MSASAO 2004/02/20		001		
THIRD ANGLE PROJECTION		DRAWING		REVISION		
A3-SIZE		SERIES		F		
53261		MATERIAL NUMBER		SHEET NUMBER		
SEE CHART		CUSTOMER		3 OF 4		
GENERAL MARKET						

DOCUMENT STATUS	RELEASE DATE
-----------------	--------------

532611071  
 韓国生産分に適用  
 APPLIES TO PRODUCT  
 PRODUCED BY MXK



32mm幅キャリアテープ  
 32mm WIDTH CARRIER TAPE



PRE-RELEASE  
 REFERENCE  
 USE ONLY

32	37.4	33.4	12.45	18.25	532611071	10
キャリアテープ幅 CARRIER TAPE WIDTH	D	C	B	A	EMBOSSED TAPE PACKAGE	極数 CIRCUIT
					オーダー番号 ORDER NO.	

THIS DRAWING CONTAINS INFORMATION THAT IS PROPRIETARY TO MOLEX ELECTRONIC TECHNOLOGIES, LLC AND SHOULD NOT BE USED WITHOUT WRITTEN PERMISSION		CURRENT REV DESC:		<b>molex</b>	
DIMENSION UNITS	SCALE	EC NO: 626512			
mm	NTS	DRWN: SOBARA01 2019/10/29		PICOBLADE 1.25 W/B CONN. SMT R/A EMBOSSED TAPE PACKAGE	
GENERAL TOLERANCES (UNLESS SPECIFIED)		CHK'D: KOMURAKAMI 2019/10/30		PRODUCT CUSTOMER DRAWING	
ANGULAR TOL	± 3.0 °	APPR: AIDA 2019/10/30		DOCUMENT NUMBER	
4 PLACES	± 0.2	INITIAL REVISION:		SD-53261-023	
3 PLACES	± 0.2	DRWN: HSHIMABUKURO 2004/02/20		DOC TYPE	DOC PART
2 PLACES	± 0.2	APPR: MSASAO 2004/02/20		PSD	001
1 PLACE	± 0.2	DRAFT WHERE APPLICABLE MUST REMAIN WITHIN DIMENSIONS		REVISION	F
0 PLACES	± 0.2	THIRD ANGLE PROJECTION	DRAWING	SERIES	SHEET NUMBER
		⊕	A3-SIZE	53261	4 OF 4
				MATERIAL NUMBER	CUSTOMER
				SEE CHART	GENERAL MARKET

DOCUMENT STATUS	RELEASE DATE
-----------------	--------------