

REV.	DESCRIPTION	DRAWN	CHECKED	APPROVED
A	NEW RELEASE	LJH 04/27/05'		LJH 04/22/06'
B	ADD SCREW TYPE	DMJ 06/27/07'		LJC 06/27/07'
C	整理图面	YCH 05/21/08'		LJC 05/21/08'
E	整理图面	YCH 04/09/11'		

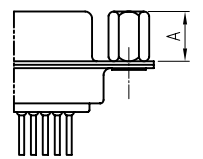
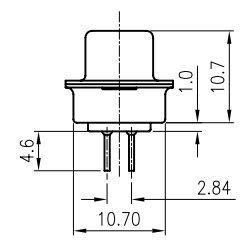
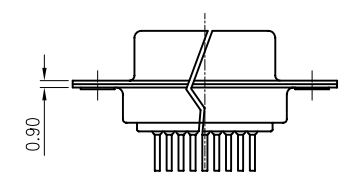
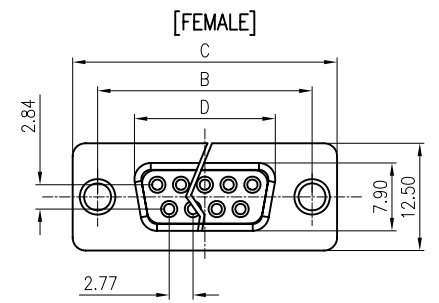
NOTES:

- ELECTRICAL CHARACTERISTICS:
 - CONTACT RESISTANCE: 20mΩ Max. INITIAL.
 - DIELECTRIC WITHSTANDING VOLTAGE: 500V AC(rms) FOR 1 MINUTE.
 - INSULATION RESISTANCE: 1000MΩ Min.
- ENVIRONMENT CHARACTERISTICS:

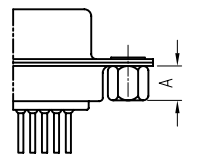
TEMPERATURE RANGE: -40°C~+105°C.
- PART NUMBER: DS1034
- PRODUCT NUMBER CODE:

DS1034- X X X X X X X

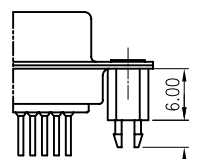
 - SCREW DIM. A
 - S: Standard(W/O nut)
 - 1: 5.00
 - 2: 3.00
 - 3: 5.20
 - 4: 4.80
 - 5: 5.80
 - 6: 4.00
 - 7: 4.80mm(Inside thread M2.6*0.45p, outside thread unc#4-40)
 - SCREW TYPE
 - S: Standard(W/O nut)
 - 1: CC TYPE
 - 2: CS TYPE
 - 3: BR TYPE
 - 4: BRJ TYPE DIM. B:6.00 C: 3~4mm
 - 5: BRJ TYPE DIM. B:6.00 C: 5~6mm
 - 6: BRJ TYPE DIM. B:6.00 C: 3~4mm (Inside thread M2.6*0.45P,outside thread unc#4-40)
 - 7: BRJ TYPE DIM. B:6.00 C: 3~4mm (Inside thread M3.0*0.50P,outside thread unc#4-40)
 - CONTACT PLATING
 - Si: FULL GOLD FLASH
 - 0: SELECTIVE GOLD FLASH
 - SHELL PLATING
 - T: FORNT & BACK SHELL TIN
 - N: FORNT SHELL NICKEL,BACK SHELL TIN
 - HOUSING COLOR
 - B: BLACK
 - W: WHITE
 - U: BLUE
 - CONNECTOR TYPE
 - M: MALE
 - F: FEMALE
 - No.OF CONTACTS
 - 09: 9pos. 25: 25pos.
 - 15: 15pos. 37: 37pos.



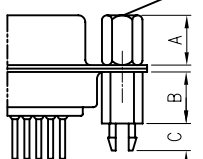
CC TYPE



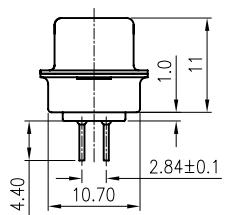
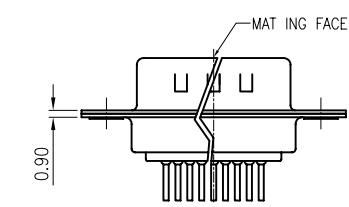
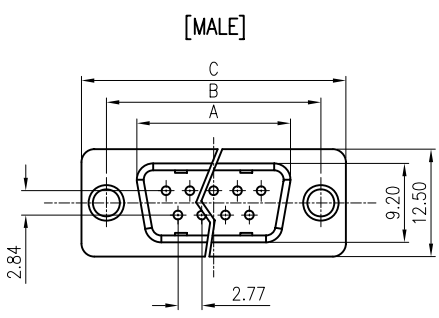
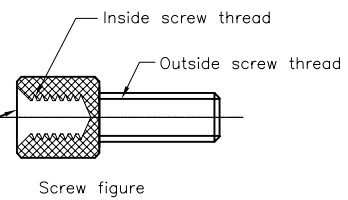
CS TYPE



BR TYPE



BRJ TYPE



Dimension

Position	A±0.2	B±0.2	C±0.3	D
9	17.90	24.99	30.80	16.33
15	26.50	33.32	39.14	24.66
25	40.00	47.04	53.04	38.38
37	56.50	63.50	69.32	54.84

GENERAL TOLERANCE		ANGLE TOLERANCE	
X.	±0.60	X.	±5'
.X	±0.38	.X	±3'
.XX	±0.25	.XX	±2'

DRAWING TYPE	CUSTOMER		
SCALE	1:1	SHEET	1 OF 1
DRAWING NO.	C-DS1034-XXXXXXX		

PROJECTION	TITLE
	D-SUB DIP STRAIGHT TYPE
UNITS	mm
SHEET SIZE	A4
SERIES	DS1034 SERIES

晨翔电子有限公司
CONNFLY CONNFLY ELECTRONIC CO. LTD