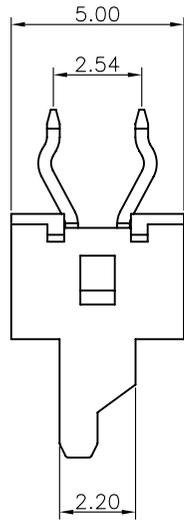
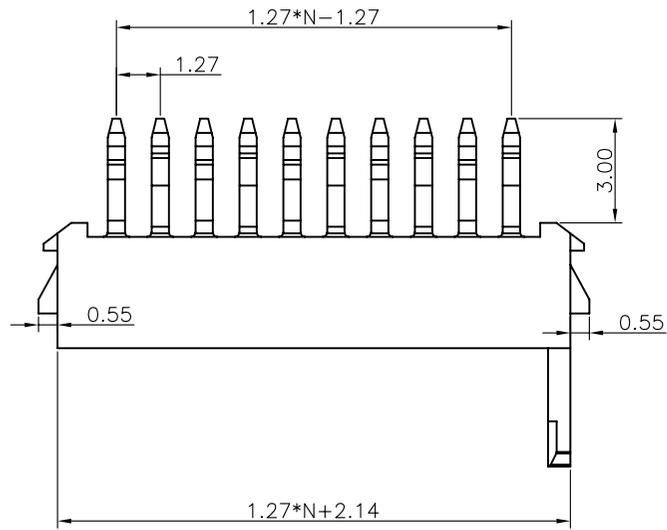
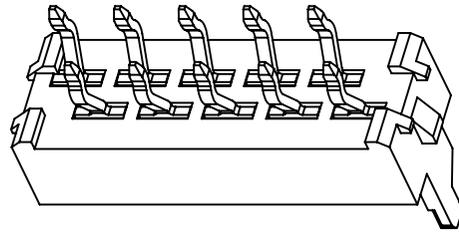
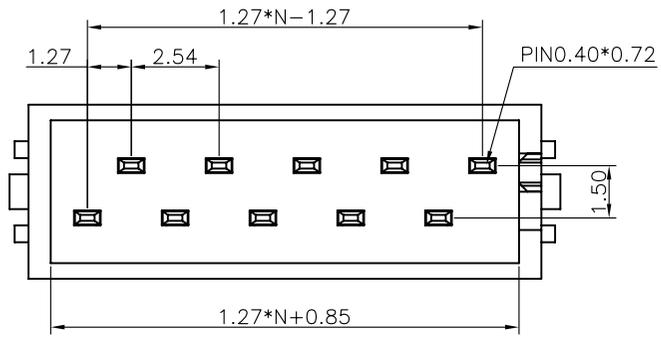


REV.	DESCRIPTION	DRAWN	CHECKED	APPROVED
A	NEW RELEASE	YCH 03/11/11'		



NOTES:

- MATERIAL
 - INSULATOR:THERMOPLASTIC(UL 94V-0).
 - CONTACT: COPPER ALLOY.
- SPECIFICATION
 - TEMPERATURE RANGE:-40°C~+105°C.
 - CONTACT RESISTANCE:30mΩ max.
 - INSULATION RESISTANCE:1000MΩ min.
 - DIELECTRIC WITHSTANDING VOLTAGE:AC 500V PER MINUTE.
- PRODUCT NUMBER CODE:
 DS1015-07- X X X
 CONTACT PLATING
 2: NICKEL + GOLD FLASH
 6: Full Tin
 8: Full GOLD FLASH
 HOUSING COLOR
 R:RED
 No. OF CONTACTS
 04 06 08 10 12
 14 16 18 20 24



GENERAL TOLERANCE		ANGLE TOLERANCE		PROJECTION		TITLE	RED DIP SERIES	
X.	±0.60	X.	±5°	UNITS	mm	MICRO MATCH CONNECTOR		
.X	±0.38	.X	±3°	SHEET SIZE	A4	SERIES	DS1015-07 SERIES	
.XX	±0.25	.XX	±2°					
DRAWING TYPE		CUSTOMER						
SCALE		1:1	SHEET	1 OF 1				
DRAWING NO.		C-DS1015-07-XXX						