

BLH30WD-1GYM

3 mm Round, 3-Leaded Super Yellow Green & Super Bright Yellow Bi-color
Single-level CBI

Technical Data Sheet



Features:

- Low power consumption.
- High efficiency.
- Good control and free combinations on the colors of LED lamps.
- Good lock and easy to assembly.
- Stackable and easy to assembly.
- Stackable vertically and easy to assembly.
- Stackable horizontally and easy to assembly.
- Versatile mounting on P.C board or panel.
- Black case enhances contrast ratio.
- Compliance with EU REACH.
- The product itself will remain within RoHS compliant Version.



Applications:

- Computer.
- Communication.
- Industrial.

Descriptions:

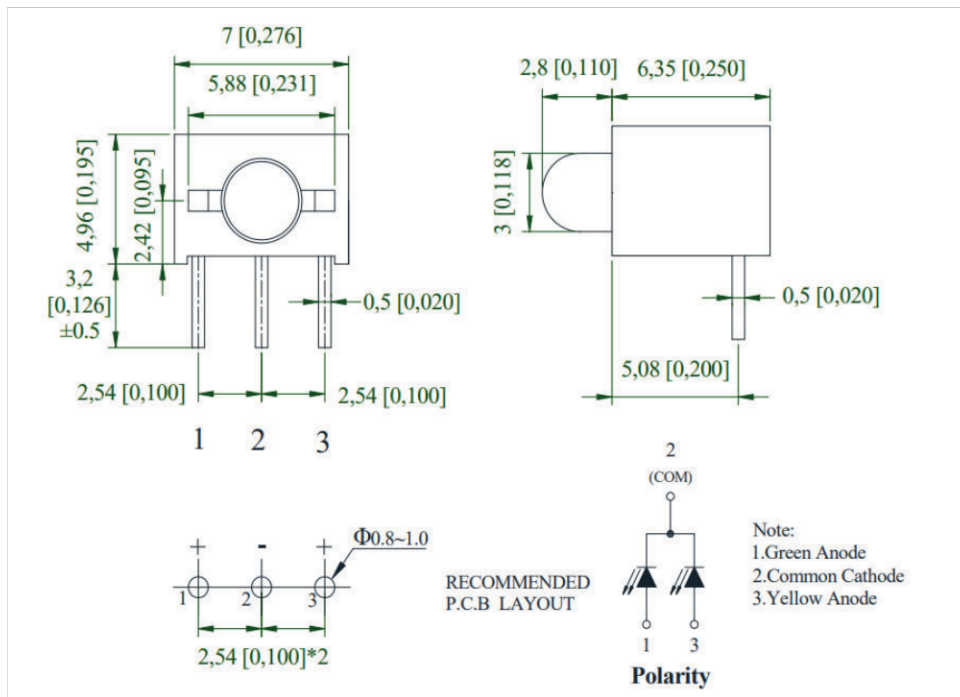
- CBI (Circuit Board Indicator) is a black plastic right angle Holder (Housing) which mates with BENTEX LED lamps.
- BENTEX CBI is available in a wide variety of packages, including top-view (Spacer) or right angle and horizontal or vertical arrays which is stackable and easy to assembly.

Technical Data Sheet

Part No.	Emitting Color	Lens Color
BLH30WD-1GYM	Super Yellow Green 	White Diffused
	Super Bright Yellow 	



Package Dimensions:



Notes:

1. All dimensions are in millimeters (inches).
2. Tolerance is ± 0.25 mm (.010") unless otherwise noted.
3. Protruded resin under flange is 1.00mm (.039") max.

BLH30WD-1GYM

3 mm Round, 3-Leaded Super Yellow Green & Super Bright Yellow Bi-color

Single-level CBI

Technical Data Sheet



Absolute Maximum Ratings at Ta=25°C

Parameters		Symbol	Max	Unit
Power Dissipation	Yellow Green	Pd	60	mW
	Yellow		60	
Peak Forward Current ^(a)		I _{FP}	100	mA
DC Forward Current ^(b)	Yellow Green	I _F	25	mA
	Yellow		25	
Reverse Voltage		V _R	5	V
Operating Temperature Range		ESD	-40°C to +80°C	
Storage Temperature Range		Tstg	-40°C to +85°C	
Soldering Temperature	Tsltd		260°C for 5 seconds	

Notes:

a. Derate linearly as shown in derating curve.

b. Duty Factor = 10%, Frequency = 1 kHz

Electrical Optical Characteristics at Ta=25°C

Parameters	Symbol	Emitting Color	Min.	Typ.	Max.	Unit	Test Condition
Luminous Intensity ^(a)	IV	Yellow Green	30	70	---	mcd	IF=20mA
		Yellow	70	170	---		
Viewing Angle ^(b)	2θ1/2	Yellow Green	---	80	---	Deg	IF=20mA
		Yellow	---	80	---		
Peak Emission Wavelength	λp	Yellow Green	---	573	---	nm	IF=20mA
		Yellow	---	592	---		
Dominant Wavelength ^(c)	λd	Yellow Green	---	571	---	nm	IF=20mA
		Yellow	---	590	---		
Spectral Line Half-Width	Δλ	Yellow Green	---	20	---	nm	IF=20mA
		Yellow	---	15	---		
Forward Voltage	VF	Yellow Green	1.6	2.0	2.4	V	IF=20mA
		Yellow	1.6	2.0	2.4		
Reverse Current	IR	Yellow Green	---	---	10	μA	VR=5V
		Yellow	---	---	10		

Notes:

a. ALuminous intensity is measured with a light sensor and filter combination that approximates the CIE eye-response curve.

b. 2θ1/2 is the o -axis angle where the luminous intensity is 1/2 the peak intensity

c. The dominant wavelength (λd) is derived from the CIE chromaticity diagram and represents the single wavelength which defines the color of the device.

BLH30WD-1GYM

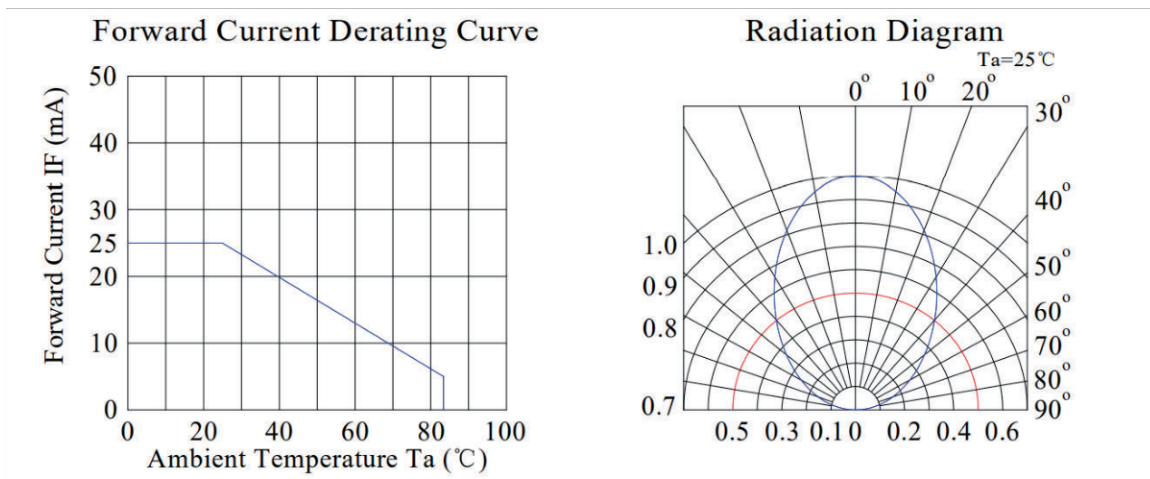
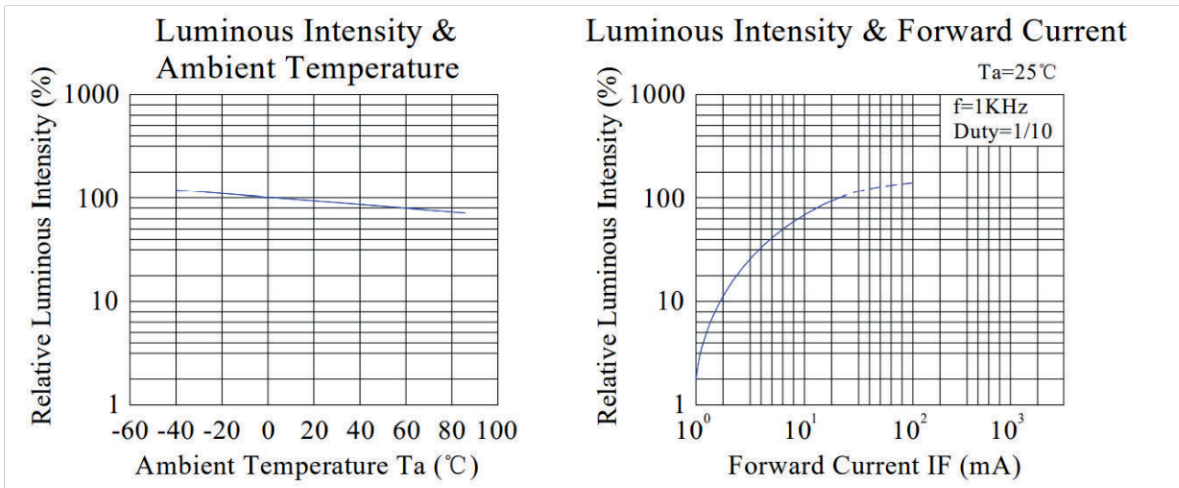
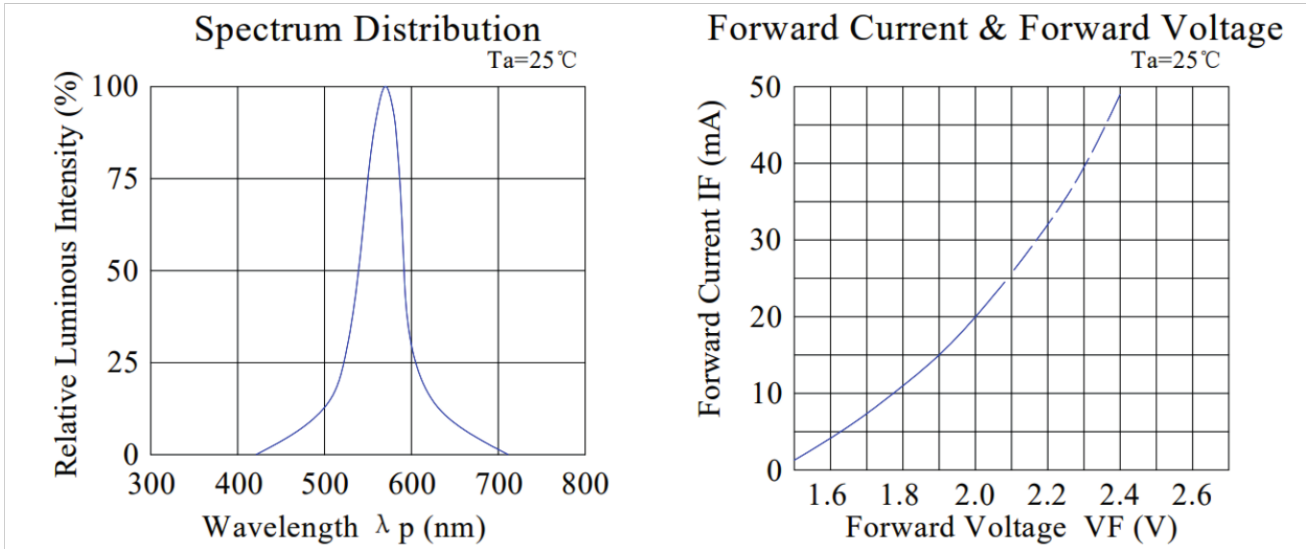
3 mm Round, 3-Leaded Super Yellow Green & Super Bright Yellow Bi-color

Single-level CBI

Technical Data Sheet



Typical Electrical / Optical Characteristics Curves (25°C Ambient Temperature Unless Otherwise Noted) Yellow Green

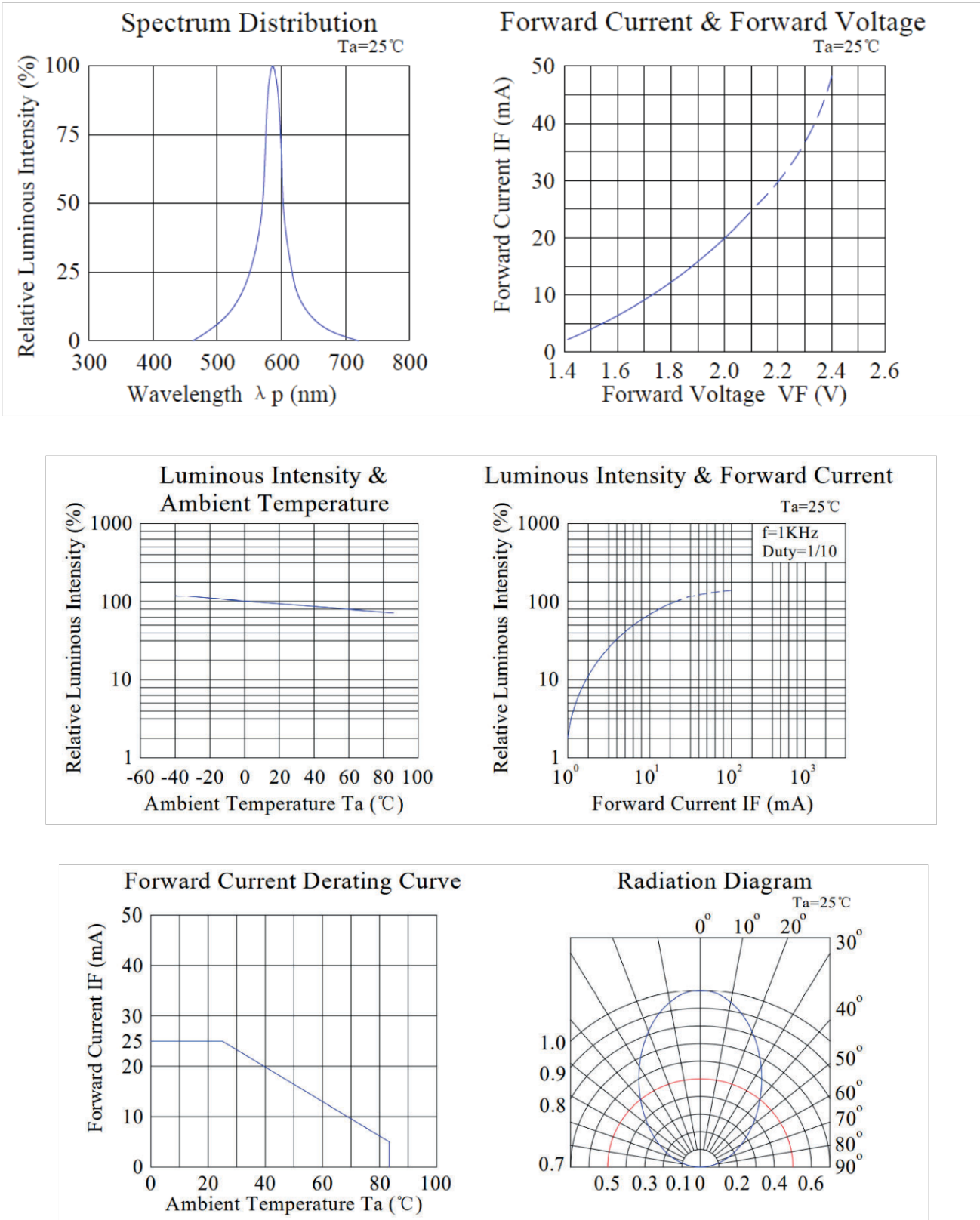


BLH30WD-1GYM

3 mm Round, 3-Leaded Super Yellow Green & Super Bright Yellow Bi-color
Single-level CBI
Technical Data Sheet



Typical Electrical / Optical Characteristics Curves (25°C Ambient Temperature Unless Otherwise Noted) Yellow



BLH30WD-1GYM

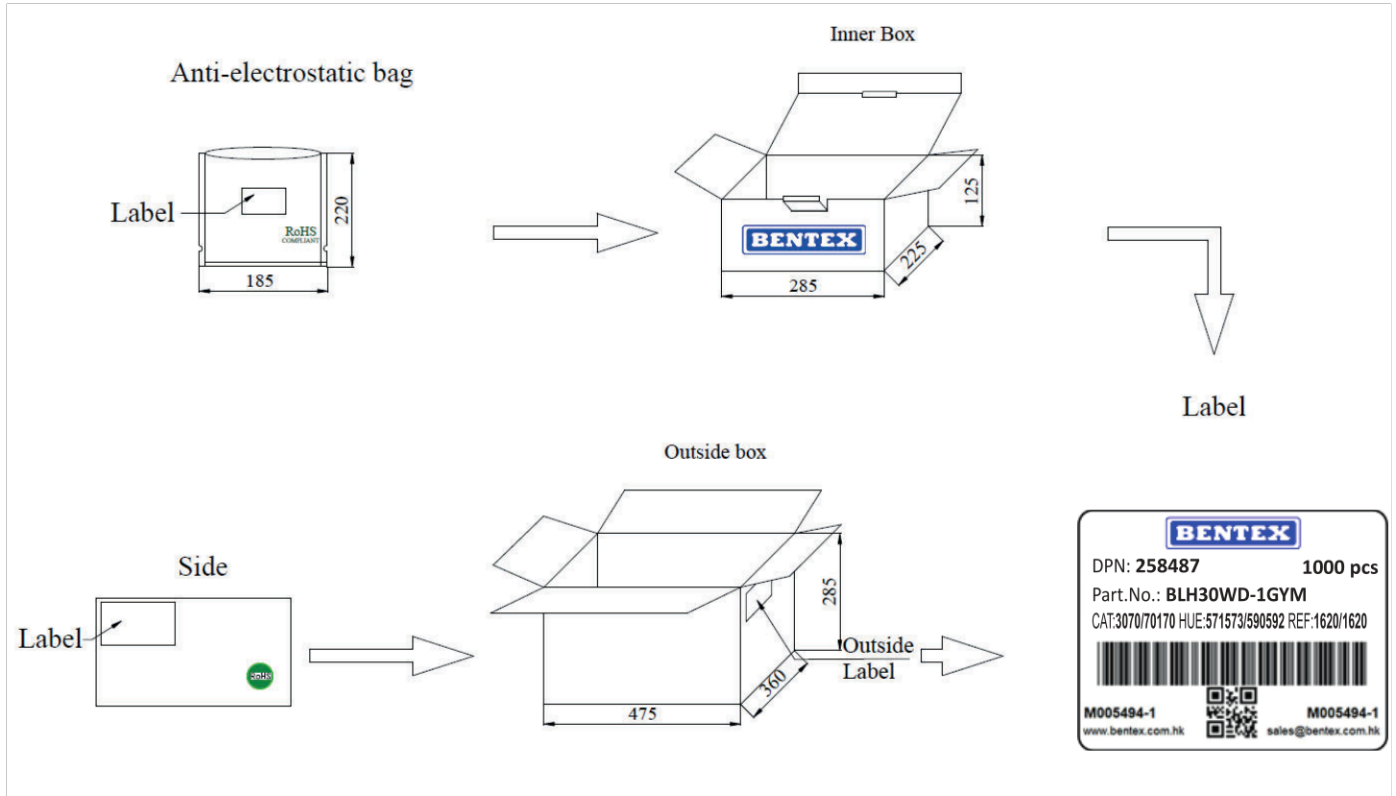
3 mm Round, 3-Leaded Super Yellow Green & Super Bright Yellow Bi-color

Single-level CBI

Technical Data Sheet



Packing & Label Specifications:



Packing Quantity:

- 1000 PCS/bag.
- 10000 PCS/Inner Box.
- 6 Inner Boxes/Outside Box.

BLH30WD-1GYM

3 mm Round, 3-Leaded Super Yellow Green & Super Bright Yellow Bi-color

Single-level CBI

Technical Data Sheet



CAUTIONS

1. Over-current-proof

Customer must apply resistors for protection, otherwise slight voltage shift will cause big current change (Burn out will happen).

2. Storage

2.1 The LEDs should be stored at 30°C or less and 70%RH or less after being shipped from BENTEX and the storage life limits are 3 months. If the LEDs are stored for 3 months or more, they can be stored for a year in a sealed container with a nitrogen atmosphere and moisture absorbent material.

2.2 Please avoid rapid transitions in ambient temperature, especially, in high humidity environments where condensation can occur.

3. Cleaning

Use alcohol-based cleaning solvents such as isopropyl alcohol to clean the LEDs if necessary.

4. Lead Forming & Assembly

During lead forming, the leads should be bent at a point at least 1.6mm from the base of LED lens. Do not use the base of the lead frame as a fulcrum during forming. Lead forming must be done before soldering, at normal temperature. During assembly on PCB, use minimum clinch force possible to avoid excessive mechanical stress.

5. Soldering

When soldering, for Lamp without stopper type and must be leave a minimum of 3mm clearance from the base of the lens to the soldering point. Do not apply any external stress to the lead frame during soldering while the LED is at high temperature.

Recommended soldering conditions:

Soldering Iron		Wave Soldering	
Temperature	300°C Max.	Pre-heat	100°C Max.
		Pre-heat Time	60 sec. Max.
Soldering Time	3 sec. Max. (one time only)	Solder Wave	260°C Max.
		Soldering Time	5 sec. Max.

Note:

a.Excessive soldering temperature and / or time might result in deformation of the LED lens or catastrophic failure of the LED.

BLH30WD-1GYM

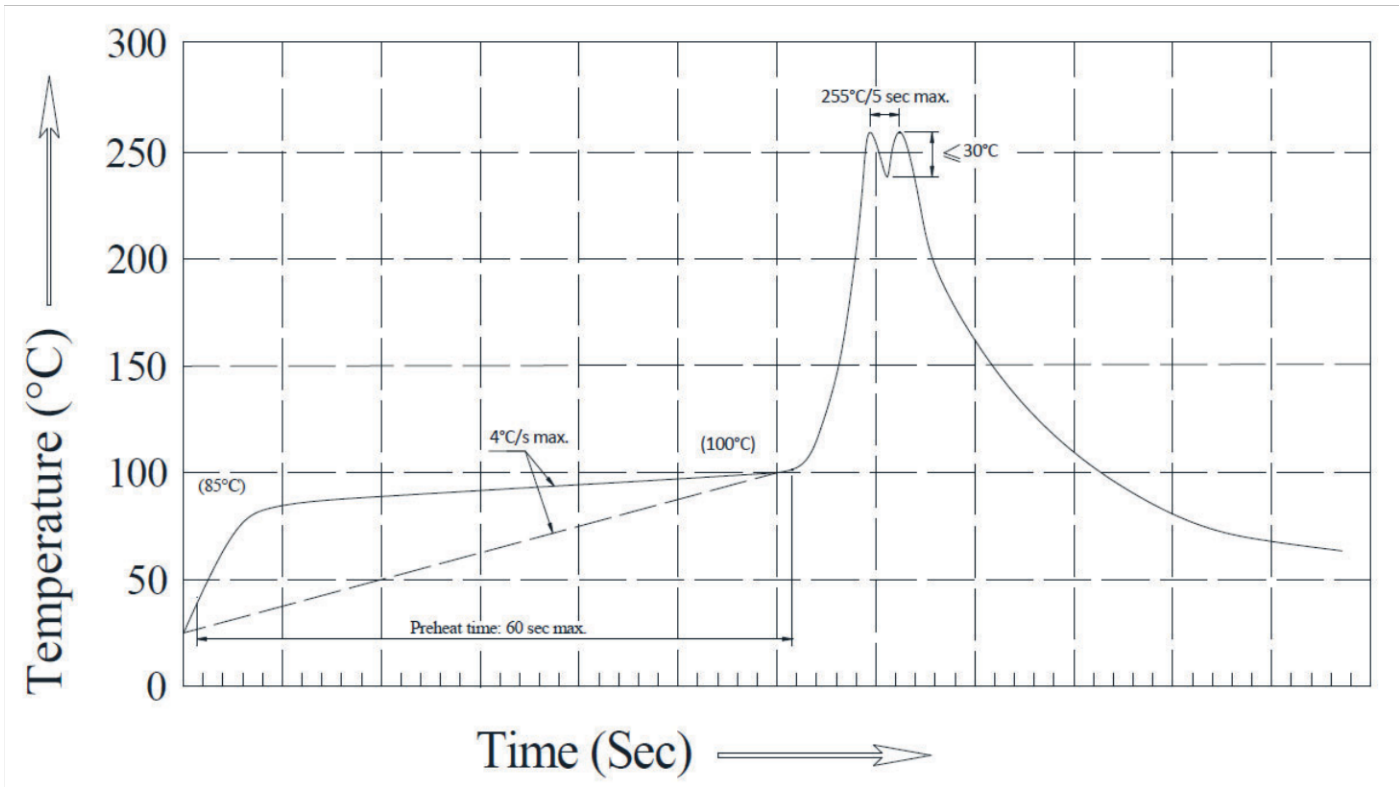
3 mm Round, 3-Leaded Super Yellow Green & Super Bright Yellow Bi-color

Single-level CBI

Technical Data Sheet



Recommended Wave Soldering Profiles

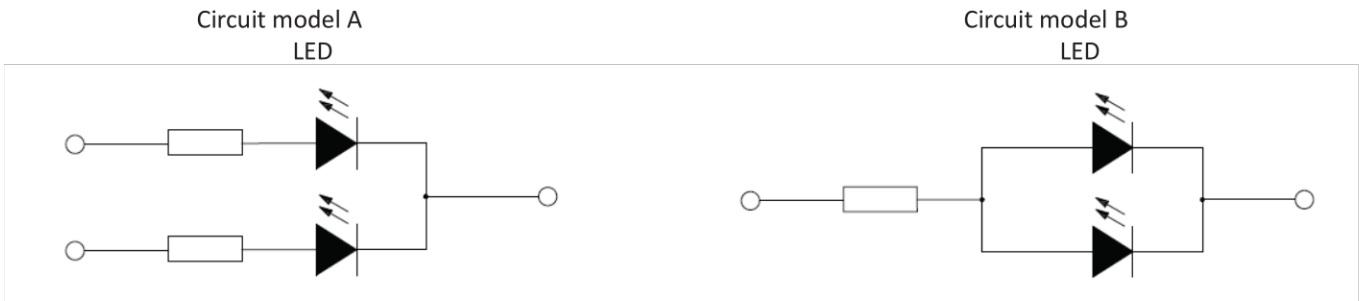


Notes:

- a. Recommend pre-heat temperature of 105° C or less (as measured with a thermocouple attached to the LED pins) prior to immersion in the solder wave with a maximum solder bath temperature of 260° C.
- b. Peak wave soldering temperature between 245° C ~ 255°C for 3 sec (5 sec max).
- c. Do not apply stress to the epoxy resin while the temperature is above 85°C.
- d. Fixtures should not incur stress on the component when mounting and during soldering process.
- e. SAC 305 solder alloy is recommended.
- f. No more than one wave soldering pass.

6. Drive Method

An LED is a current-operated device. In order to ensure intensity uniformity on multiple LEDs connected in parallel in an application, it is recommended that a current limiting resistor be incorporated in the drive circuit, in series with each LED as shown in Circuit A below.



(A) Recommended circuit

(B) The brightness of each LED might appear different due to the differences in the I-V characteristics of those LEDs.

BLH30WD-1GYM

3 mm Round, 3-Leaded Super Yellow Green & Super Bright Yellow Bi-color

Single-level CBI

Technical Data Sheet



7. Repairing

Repair should not be done after the LEDs have been soldered. When repairing is unavoidable, a double-head soldering iron should be used. It should be confirmed beforehand whether the characteristics of the LEDs will or will not be damaged by repairing.

8. ESD (Electrostatic Discharge)

Static Electricity or power surge will damage the LED. Suggestions to prevent ESD damage:

8.1. Use a conductive wrist band or anti- electrostatic glove when handling these LEDs.

8.2. All devices, equipment, and machinery must be properly grounded.

8.3. Work tables, storage racks, etc. should be properly grounded.

8.4. Use ion blower to neutralize the static charge which might have built up on surface of the LEDs plastic lens as a result of friction between LEDs during storage and handing. ESD-damaged LEDs will exhibit abnormal characteristics such as high reverse leakage current, low forward voltage, or "no light up" at low currents. To verify for ESD damage, check for "light up" and VF of the suspect LEDs at low currents. The VF of "good" LEDs should be $>2.0V@0.1mA$ for InGaN product and $>1.4V@0.1mA$ for AlIn-GaP product.

9. Others

9.1 The information included in this document reflects representative usage scenarios and is intended for technical reference only.

9.2 The part number, type, and specifications mentioned in this document are subject to future change and improvement without notice. Before production usage customer should refer to the latest datasheet for the updated specifications.

9.3 When using the products referenced in this document, please make sure the product is being operated within the environmental and electrical limits specified in the datasheet. If customer usage exceeds the specified limits, BENTEX will not be responsible for any subsequent issues.

9.4 The LEDs described here are intended to be used for ordinary electronic equipment (such as office equipment, communication equipment and household applications). Consult BENTEX's Sales in advance for information on applications in which exceptional reliability is required, particularly when the failure or malfunction of the LEDs may directly jeopardize life or health, such as in aviation, transportation, traffic control equipment, medical and life support systems and safety devices.